



# Bathroom Vanity

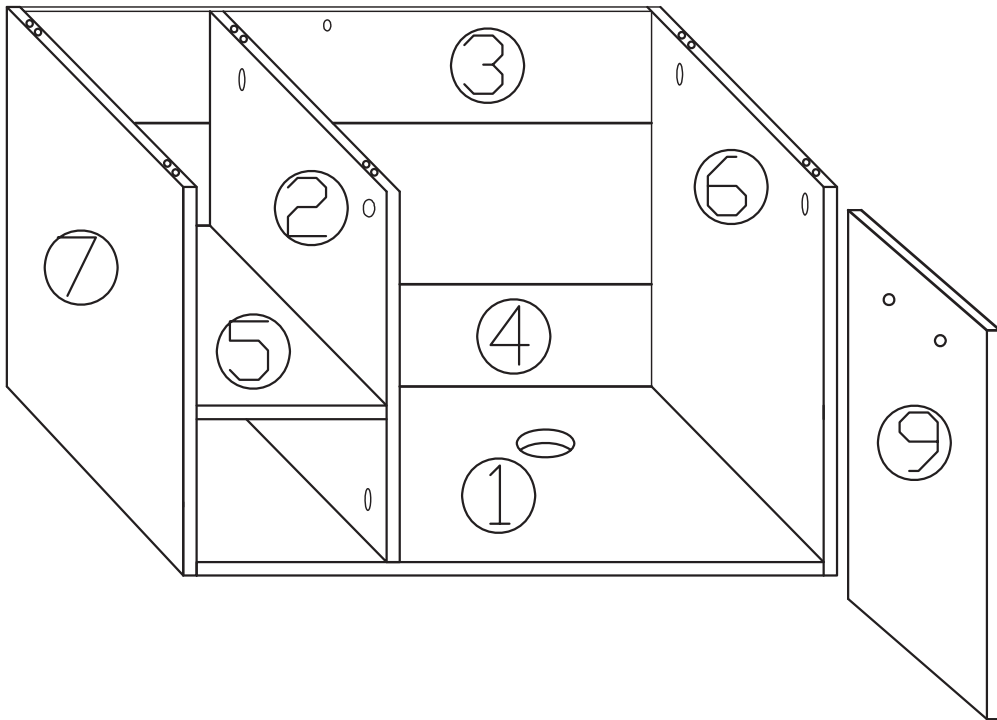
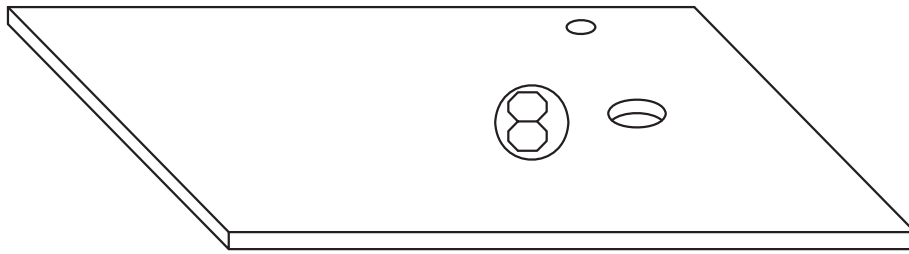
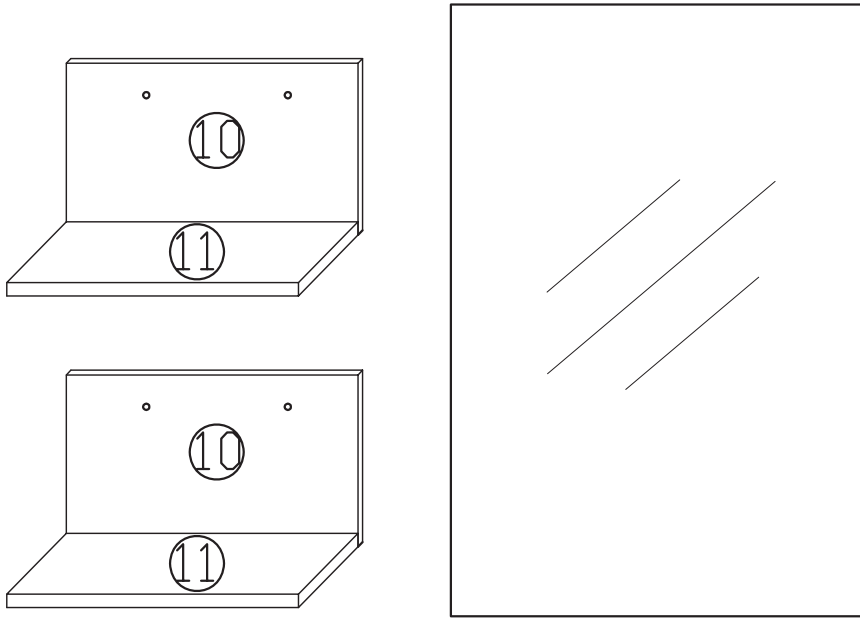
---

































**USER'S MANUAL**  
**Bathroom Vanity**

# Package list

Parts list			Hardware list		
NO.	Description	QTY	NO.	Description	QTY
1		1	A	 CAM LOCK	26
2		1	B	 CAM SCREW	26
3		1	C	 CAM LOCK COVER	26
4		1	D	 WOODEN DOWEL	28
5		1	E	 SCREW	12
6		1	F	 HINGE	2
7		1	G	 HANDLE SCREW	2
8		1	H	 HANDLE	1
9		1	I	 (ø4x40mm)	4
10		2	J	 (ø6x30mm)	4
11		2	K	 CABINET SUSPENSION	2
12		1	L	 FIXED BANK	2
			M	 SCREW	4
			N	 washer	4
			P	 cover	4
			Q	 BOTTOM DRAIN HOLE COVER	1
			R	 (ø3.5x32mm)	8
			S	 (ø6X30mm)	8


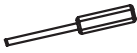



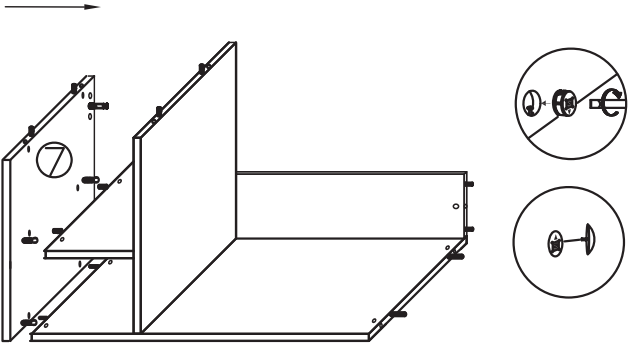
# Installation Manual

<p>step1</p>	<table border="1"> <thead> <tr> <th colspan="2">HARDWARE LIST</th> </tr> </thead> <tbody> <tr> <td>B</td> <td> 26</td> </tr> <tr> <td></td> <td></td> </tr> </tbody> </table>	HARDWARE LIST		B	 26			<p>step2</p>	<table border="1"> <thead> <tr> <th colspan="2">HARDWARE LIST</th> </tr> </thead> <tbody> <tr> <td>D</td> <td> 28</td> </tr> <tr> <td></td> <td></td> </tr> </tbody> </table>	HARDWARE LIST		D	 28						
HARDWARE LIST																			
B	 26																		
																			
HARDWARE LIST																			
D	 28																		
																			
<p>step3</p>	<table border="1"> <thead> <tr> <th colspan="2">HARDWARE LIST</th> </tr> </thead> <tbody> <tr> <td>A</td> <td> 3</td> </tr> <tr> <td>C</td> <td> 3</td> </tr> <tr> <td></td> <td></td> </tr> </tbody> </table>	HARDWARE LIST		A	 3	C	 3			<p>step4</p>	<table border="1"> <thead> <tr> <th colspan="2">HARDWARE LIST</th> </tr> </thead> <tbody> <tr> <td>A</td> <td> 2</td> </tr> <tr> <td>C</td> <td> 2</td> </tr> <tr> <td></td> <td></td> </tr> </tbody> </table>	HARDWARE LIST		A	 2	C	 2		
HARDWARE LIST																			
A	 3																		
C	 3																		
																			
HARDWARE LIST																			
A	 2																		
C	 2																		
																			




# Installation Manuel

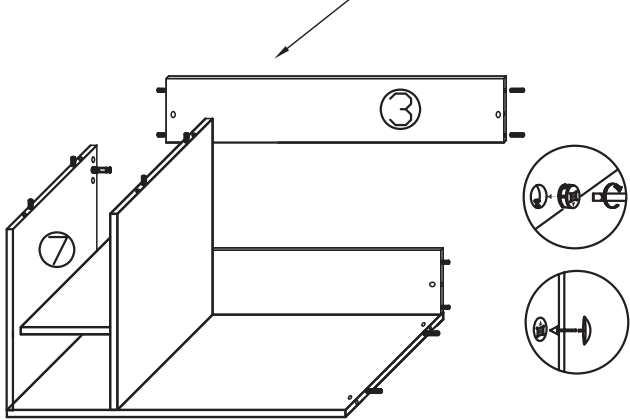
step5

HARDWARE LIST			
A		5	
C		5	





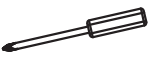



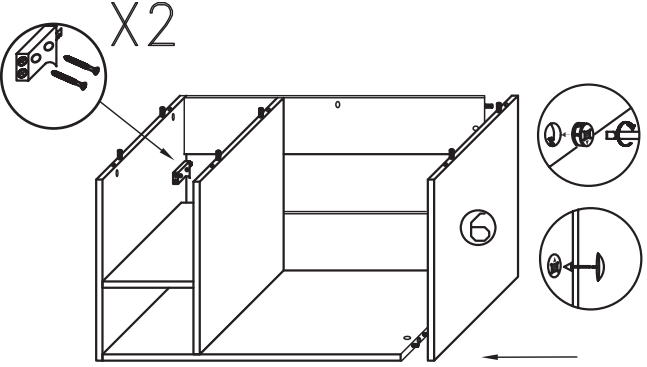
step6

HARDWARE LIST			
A		1	
C		1	






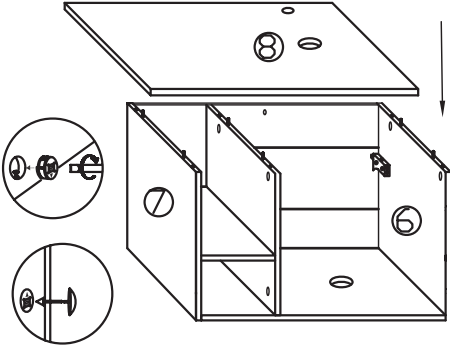
step7

HARDWARE LIST			
A		4	
C		4	
K		2	
M		4	



step8

HARDWARE LIST			
A		7	
C		7	



# Installation Manuel

step9

HARDWARE LIST		
E		12
F		2
G		2
H		1

step10

HARDWARE LIST		
A		4
C		4

step11





HARDWARE LIST		
J		4
S		8

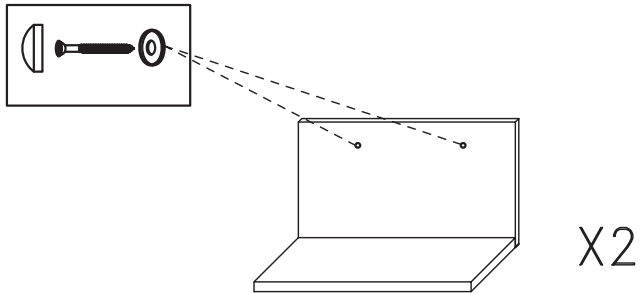
step12

HARDWARE LIST		
R		2

# Installation Manuel

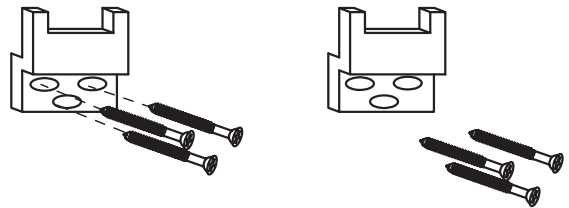
step13

HARDWARE LIST		
I	 4	
P	 4	
N	 4	



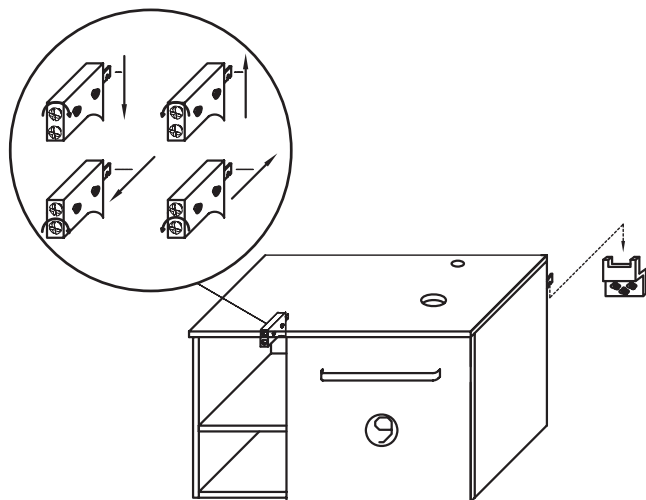
step14

HARDWARE LIST		
R	 6	



step15

HARDWARE LIST	



step16

HARDWARE LIST	

