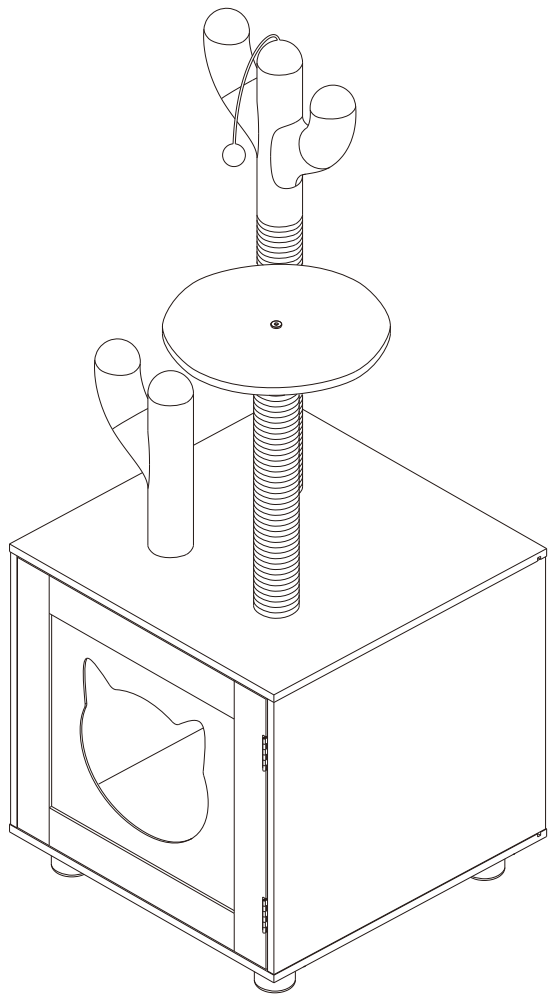
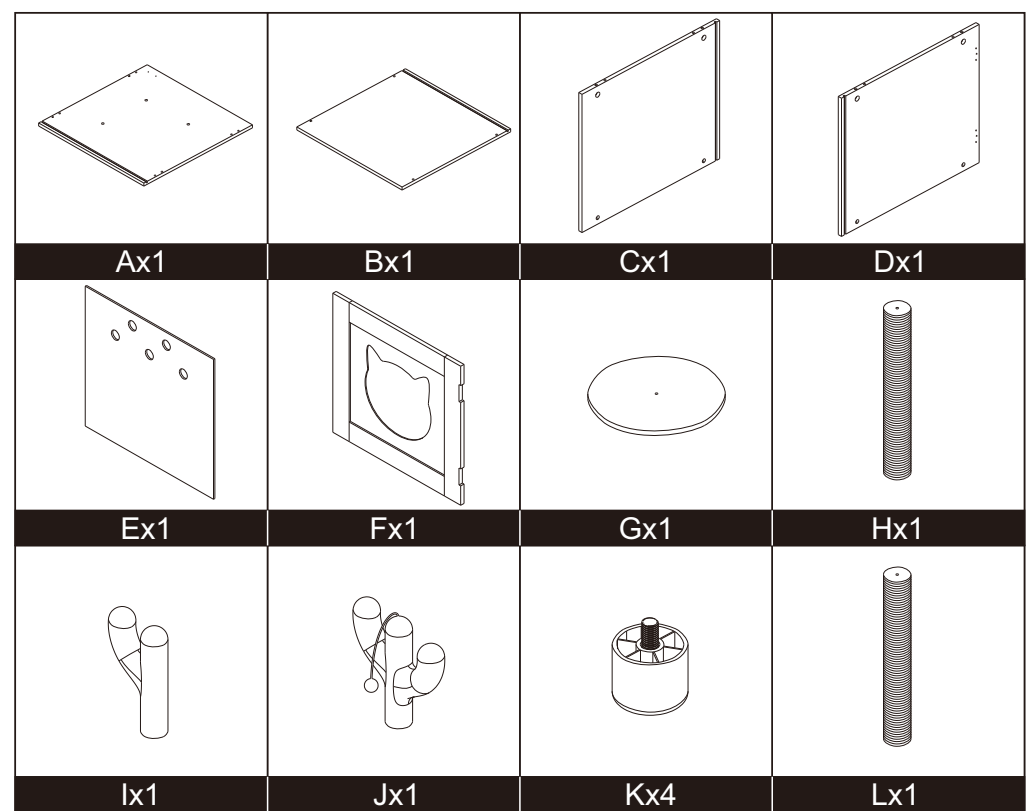


INSTRUCTION



1

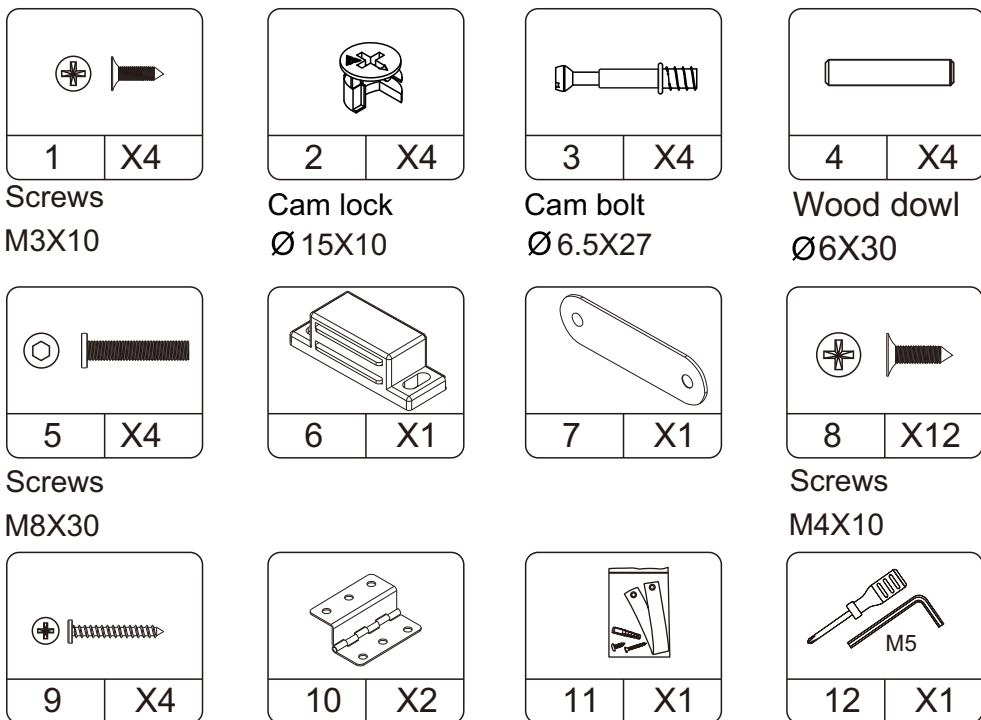
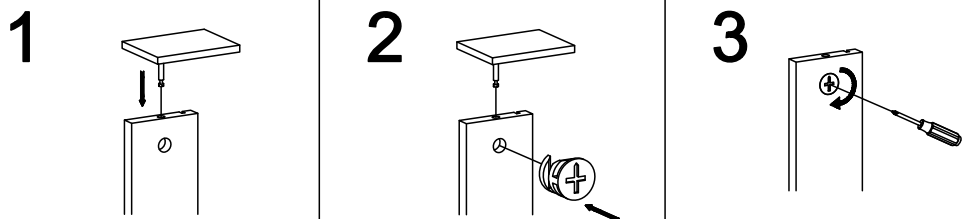
BOARD IDENTIFICATION



2

BOARD IDENTIFICATION

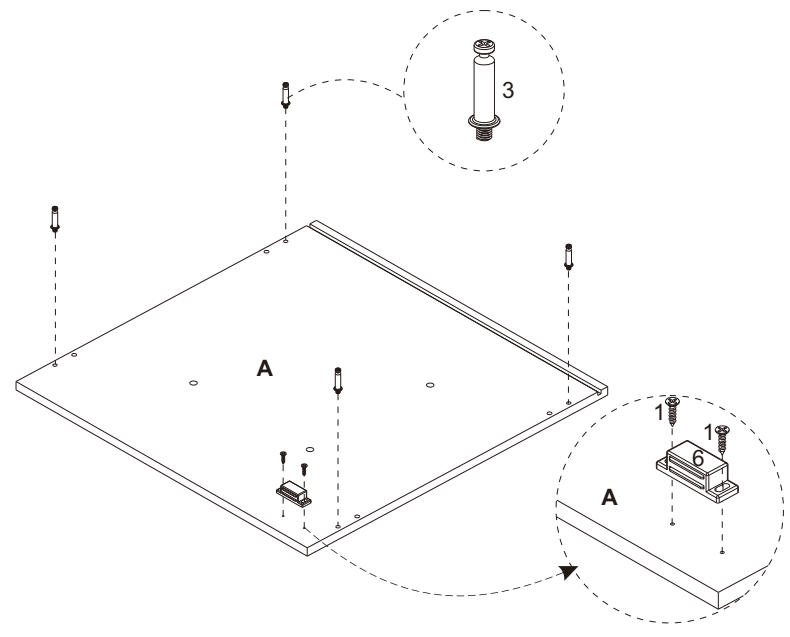
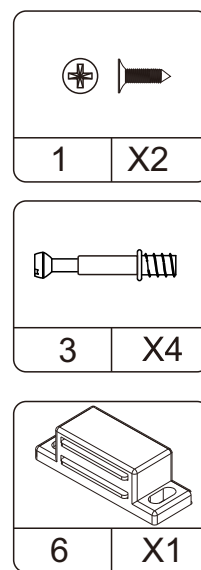
ATTENTION:



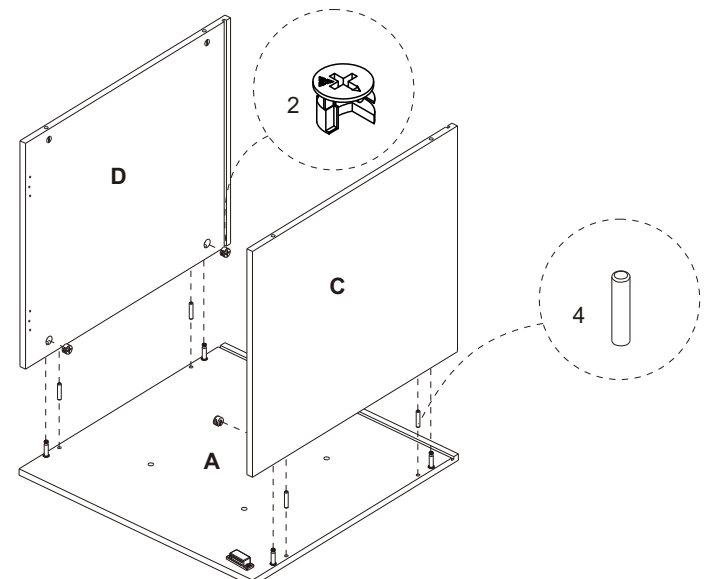
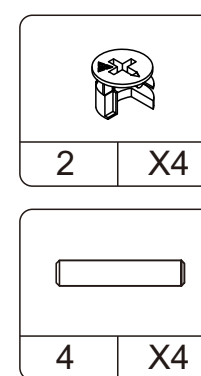
3

INSTALLATION STEPS

STEP1:



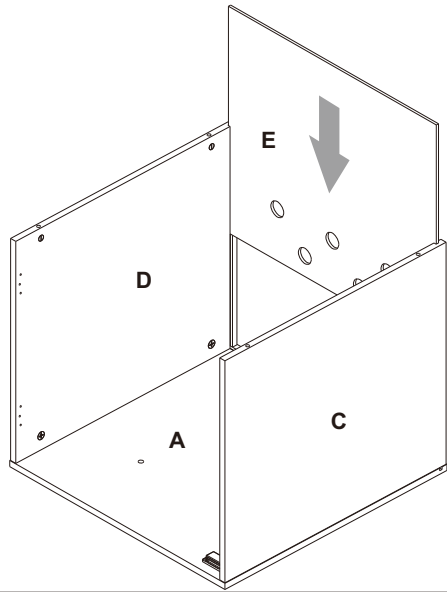
STEP2:



4

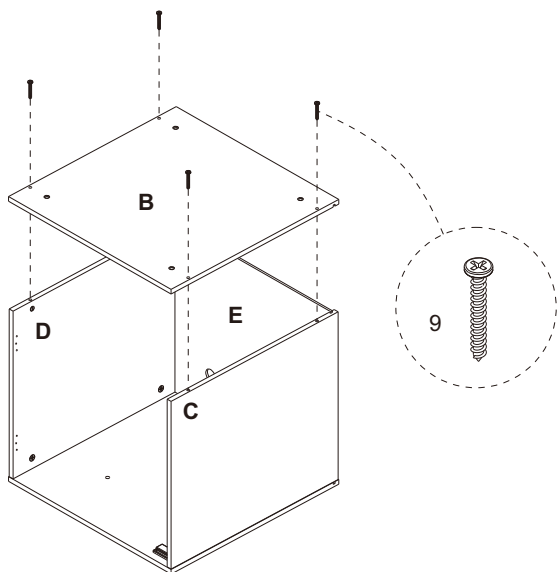
INSTALLATION STEPS

STEP3:



STEP4:

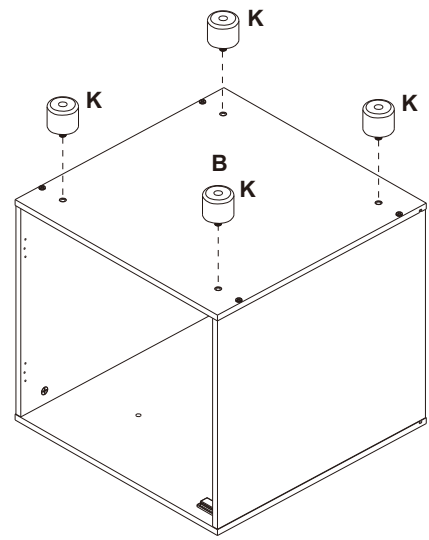
9	X4



5

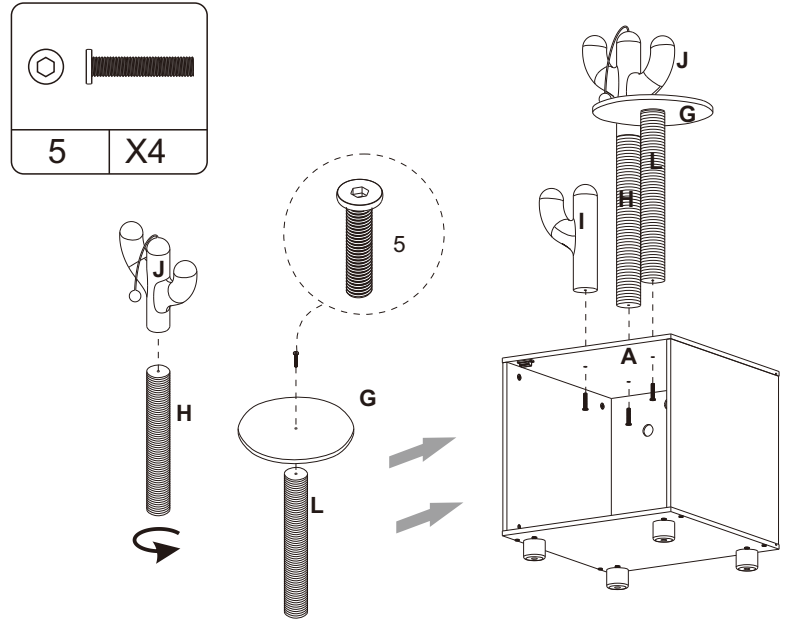
INSTALLATION STEPS

STEP5:



STEP6:

5	X4

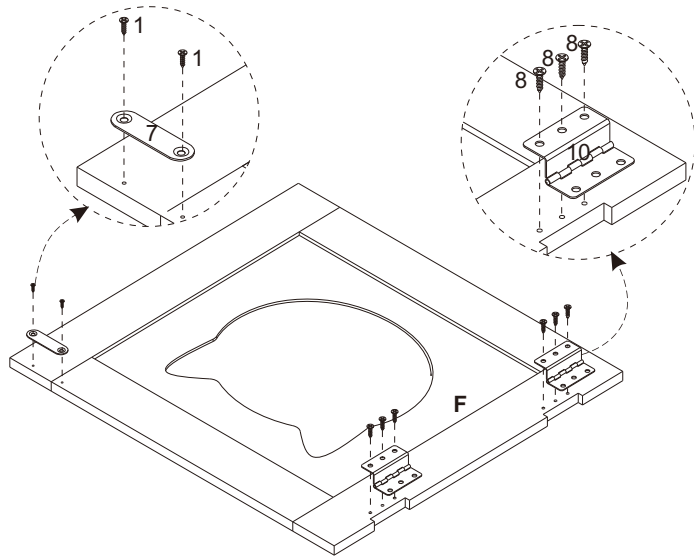


6

INSTALLATION STEPS

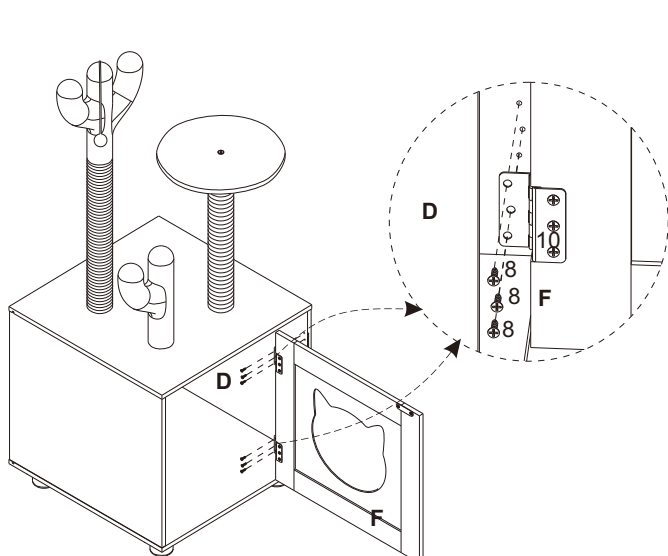
STEP7:

1	X2
7	X1
8	X6
10	X2



STEP8:

8	X6

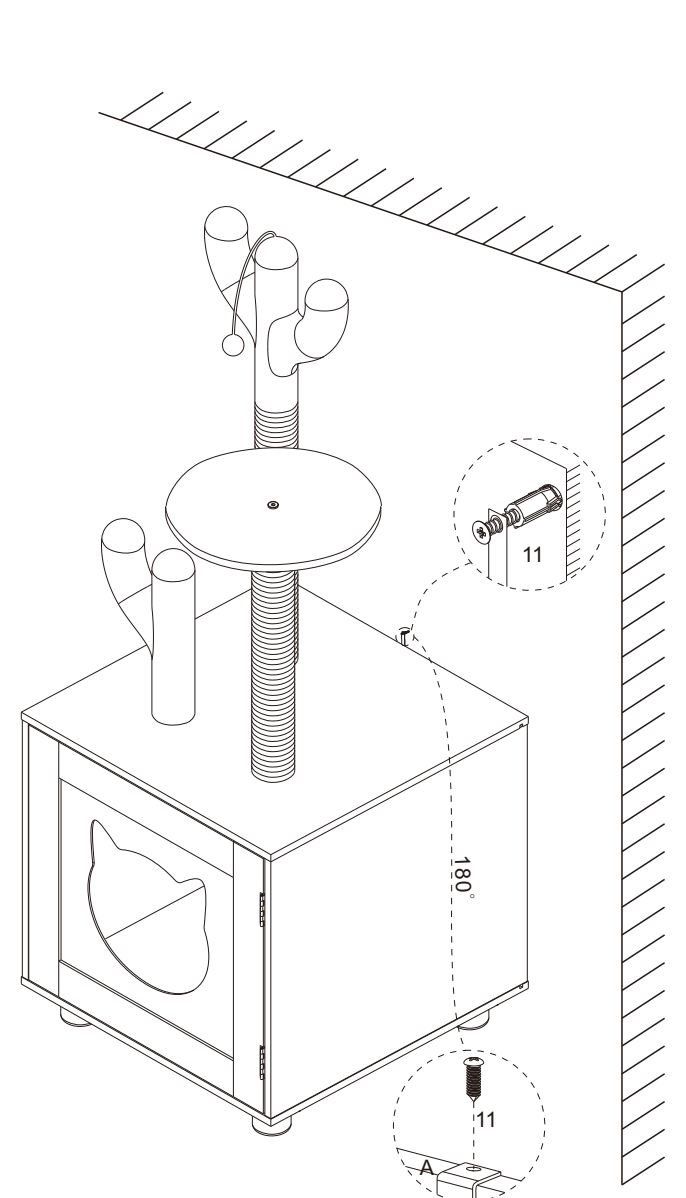


7

INSTALLATION STEPS

STEP9:

11	X1



8