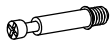







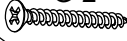



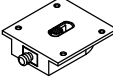

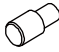






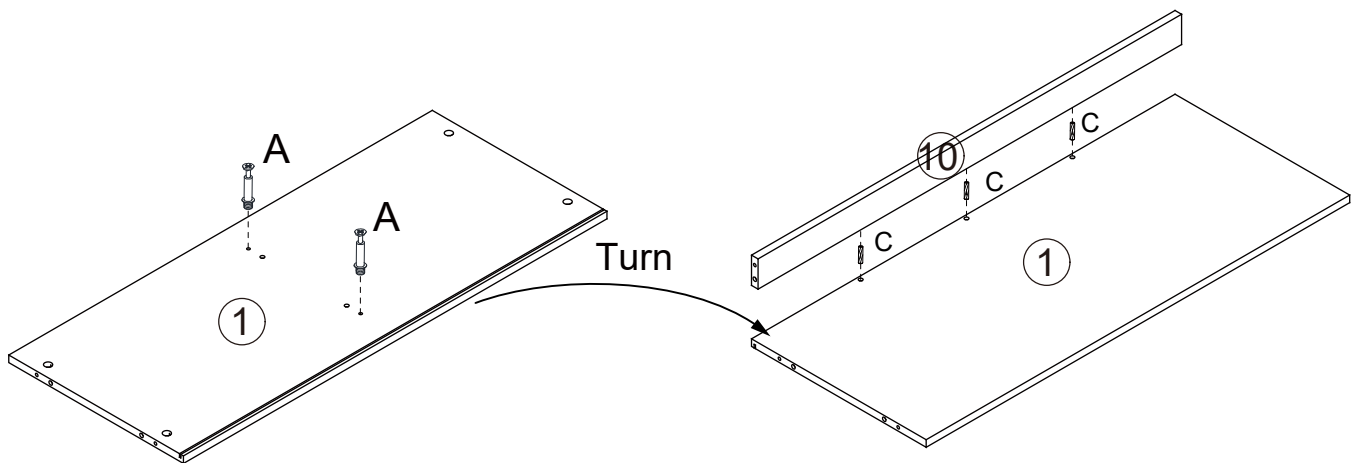
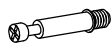



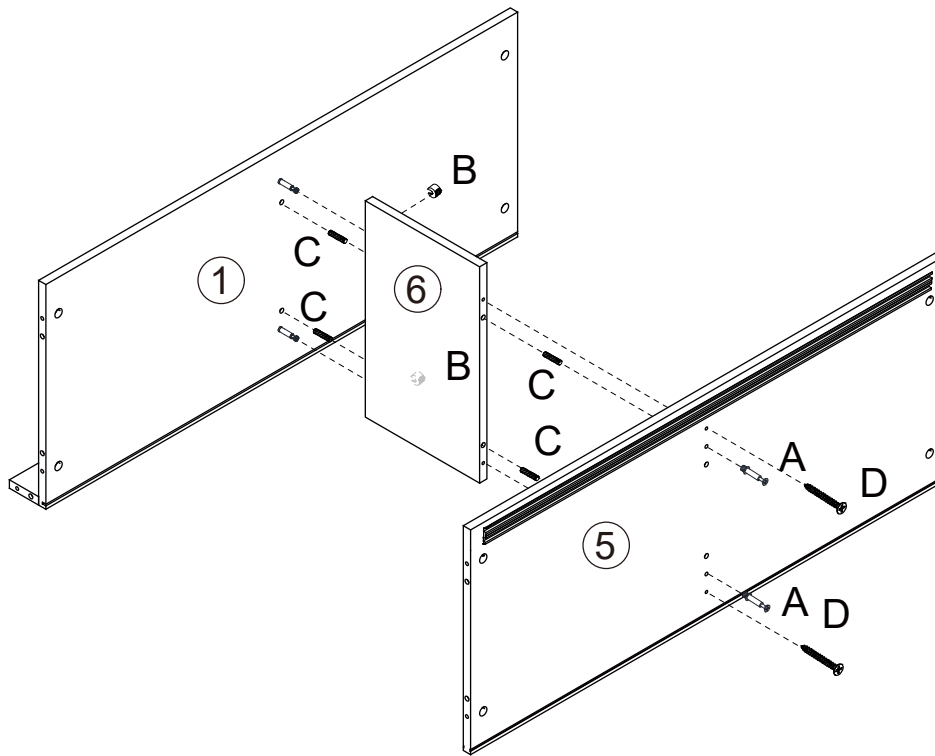
A	x30+3	B	x30+3	C	x42+3	D	x4+1	E	x4	F	x2
										 F-1	 F-2
Ø6x35mm		Ø15x10mm		Ø6x30mm		Ø4x35mm		25mm			
G	x2	H	x32+3	I	x8+1	J	x4	K	x4	L	x8+1
 G-1	 G-2			 I-1	 I-2						
		Ø3.5x14mm									
M	x8	N	x8	O	x1	P	x2				
						 P-1	 P-2				
		Ø6x35mm		M4mm							

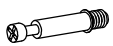



1



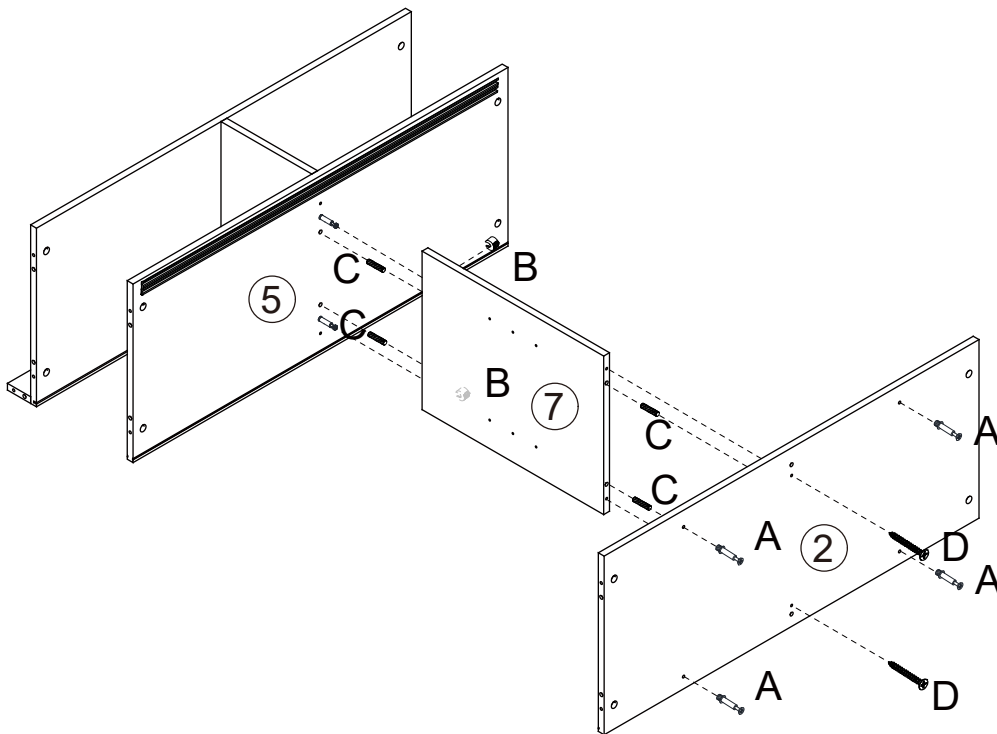
A	x2	C	x3
			

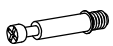



2



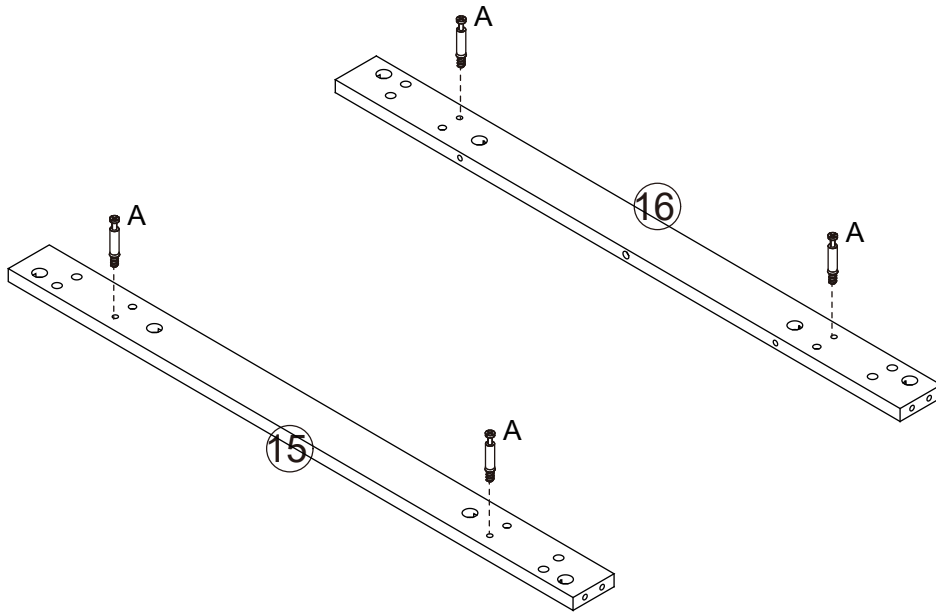
A	x2	B	x2	C	x4	D	x2
							

3



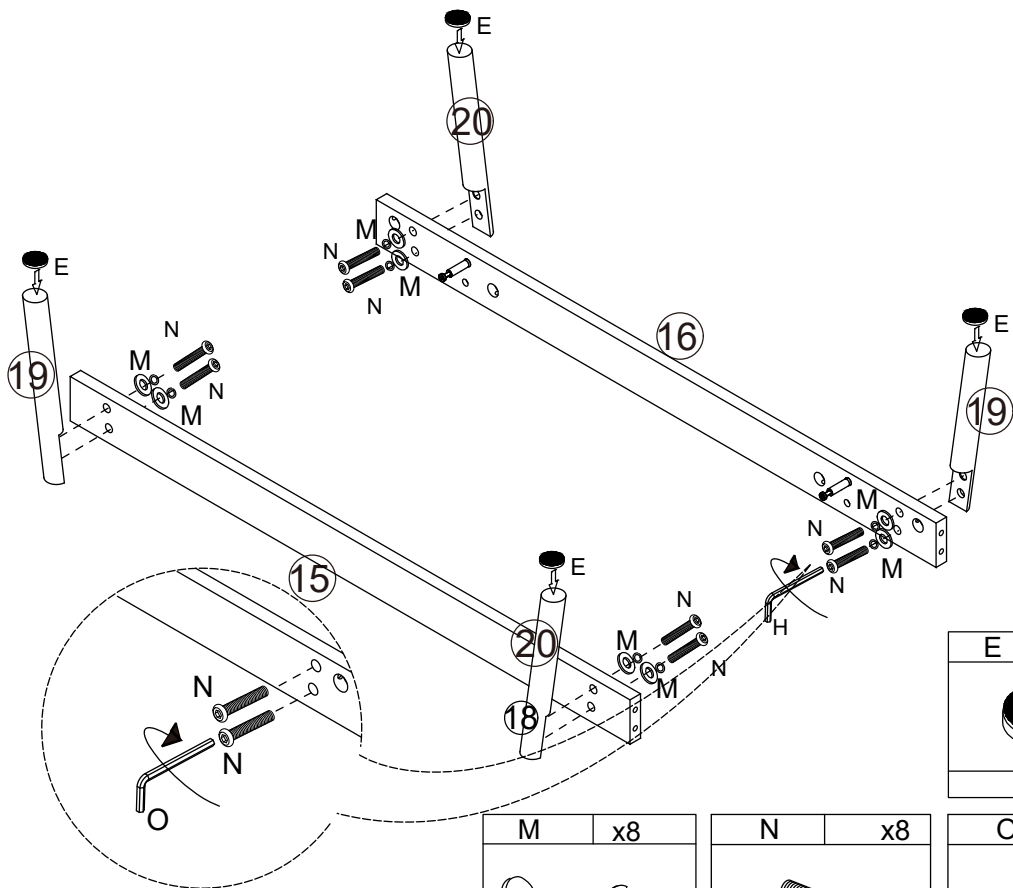
A	x4	B	x2	C	x4	D	x2
							

4



A	x4

5



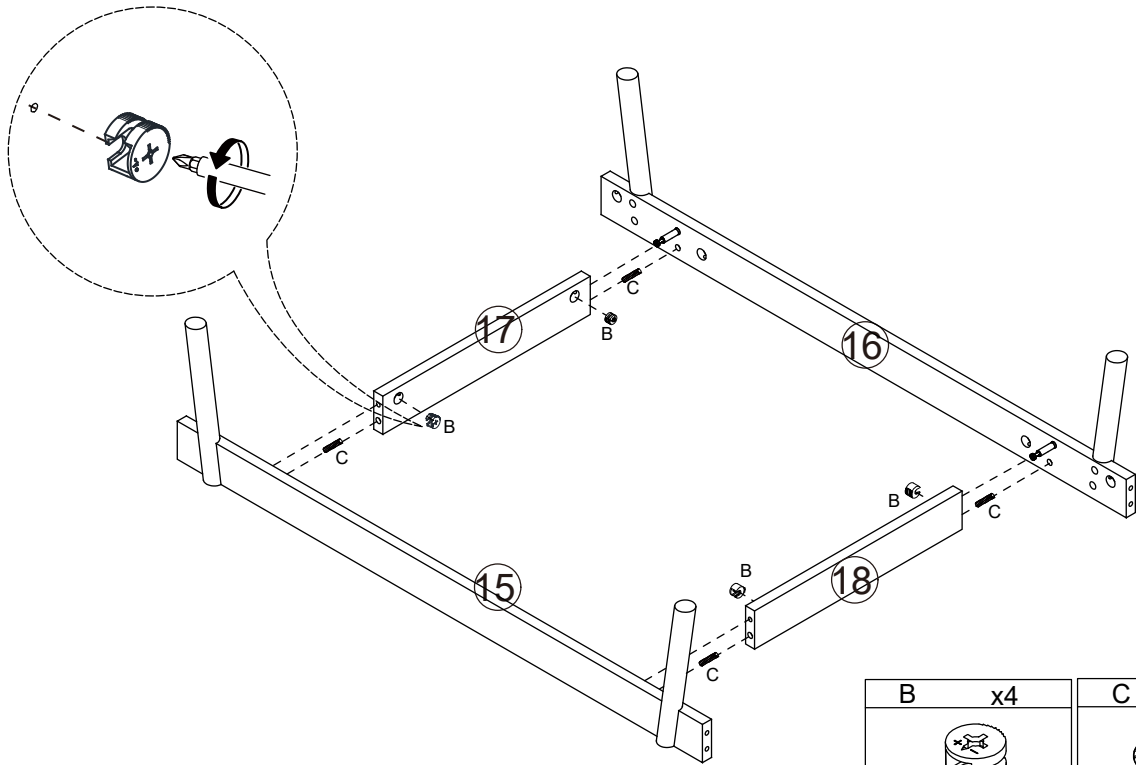
E	x4



M	x8

N	x8

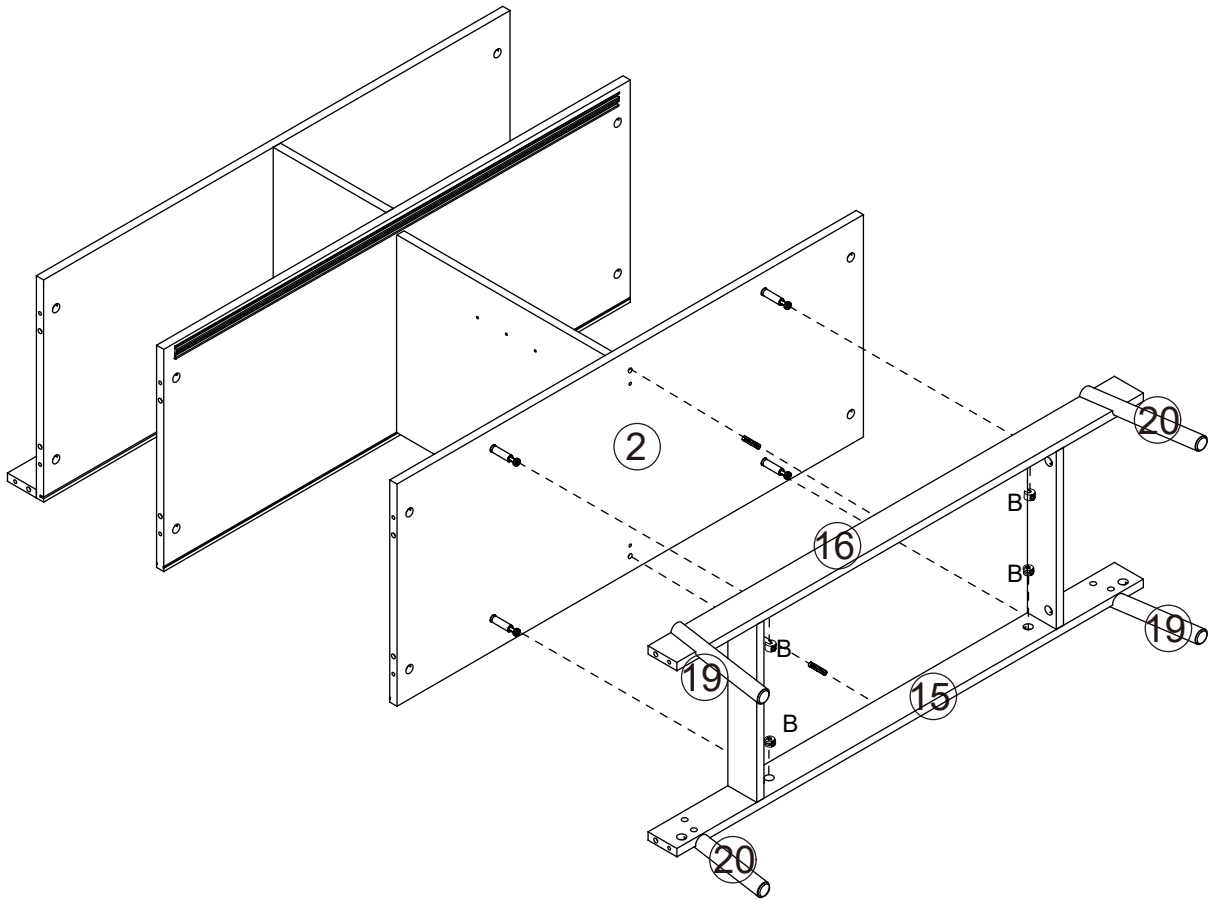
O	x1



6



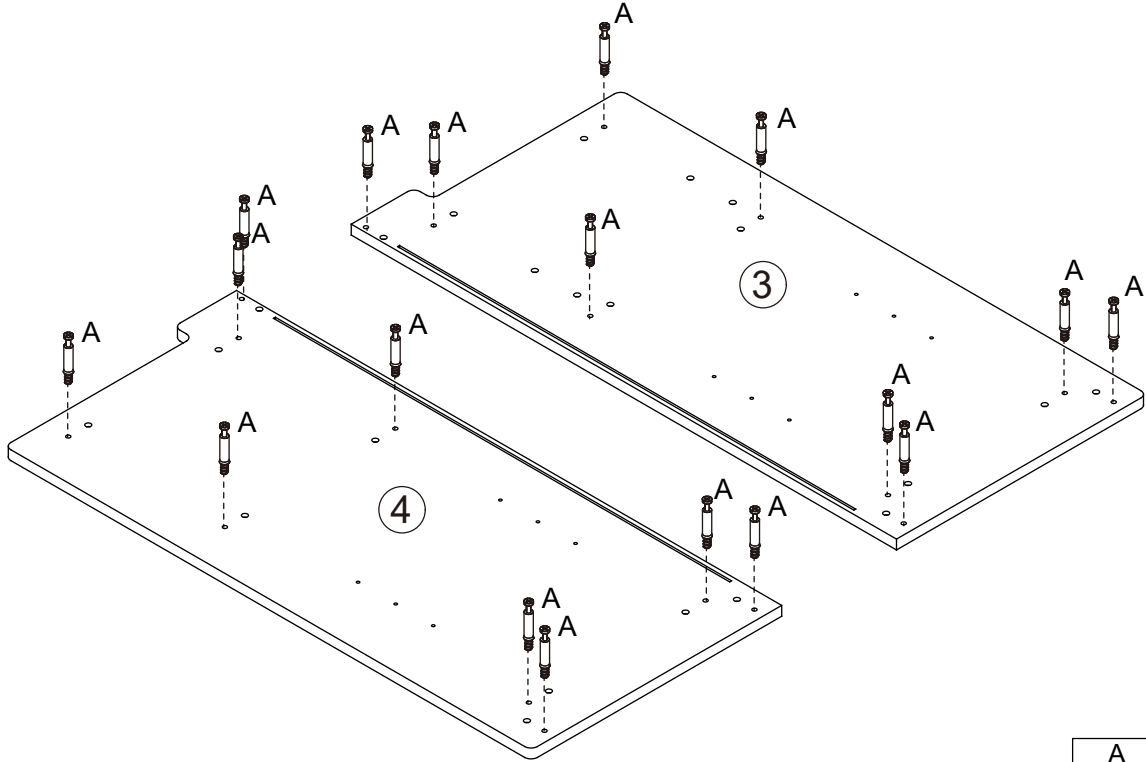
B	x4	C	x4
			


7



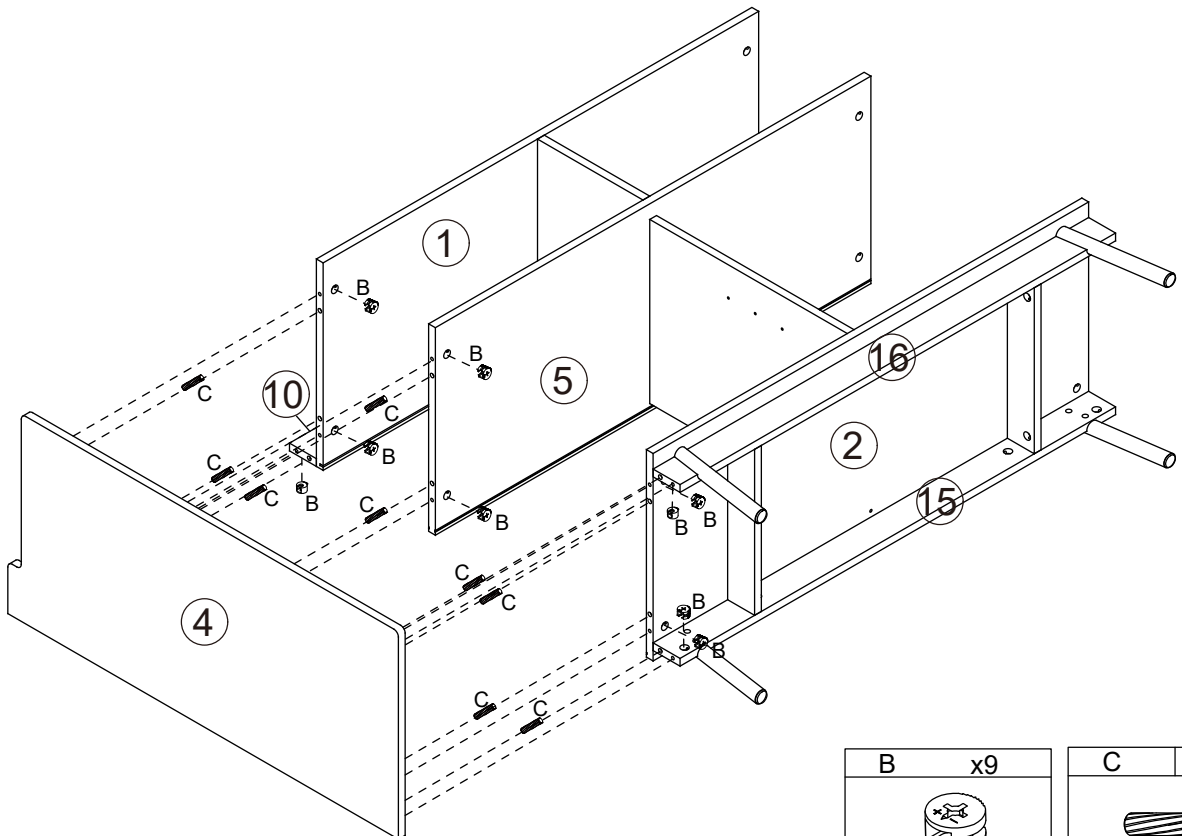
B	x4	C	x2
			


8




A	x18
	

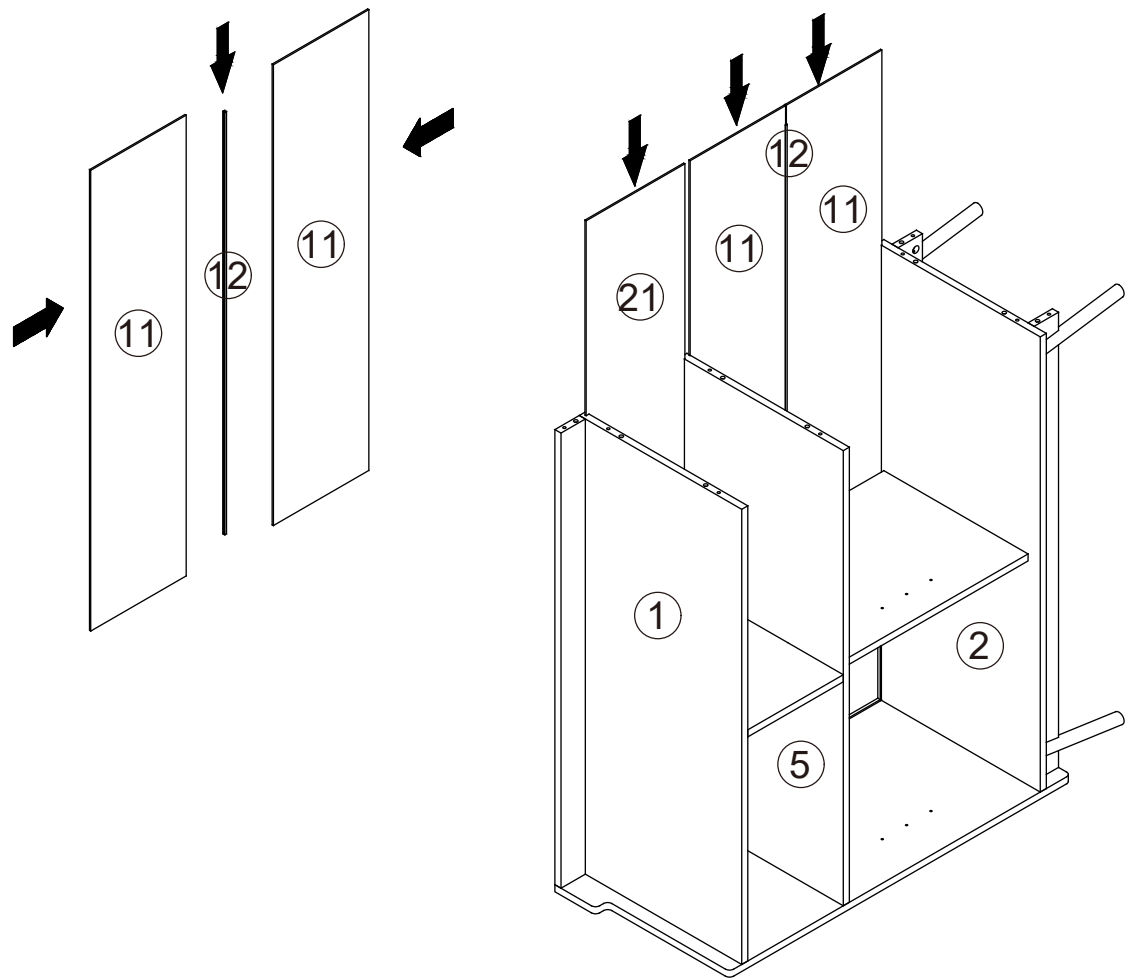
9



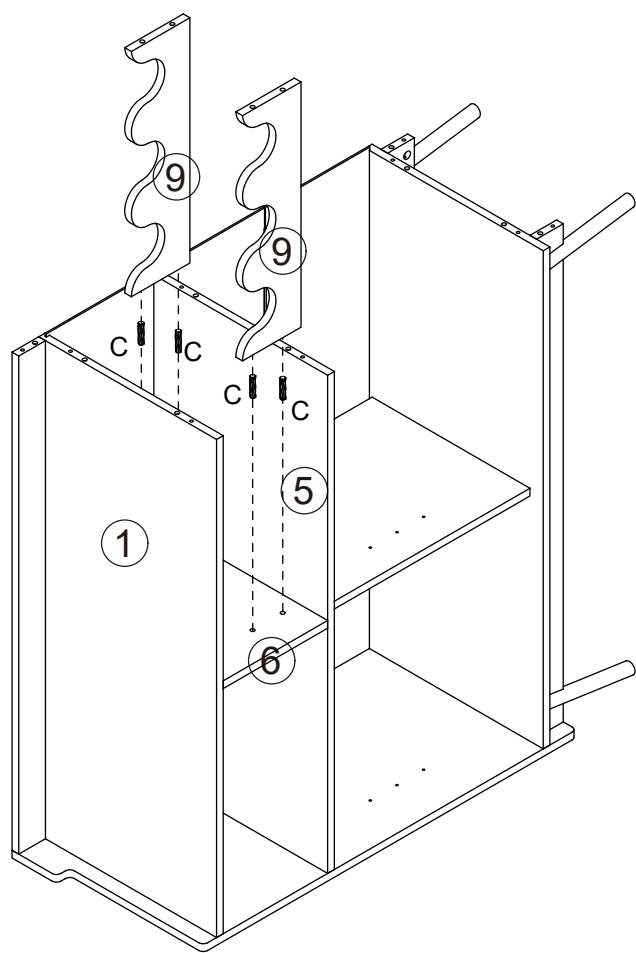
B	x9
	


C	x9
	

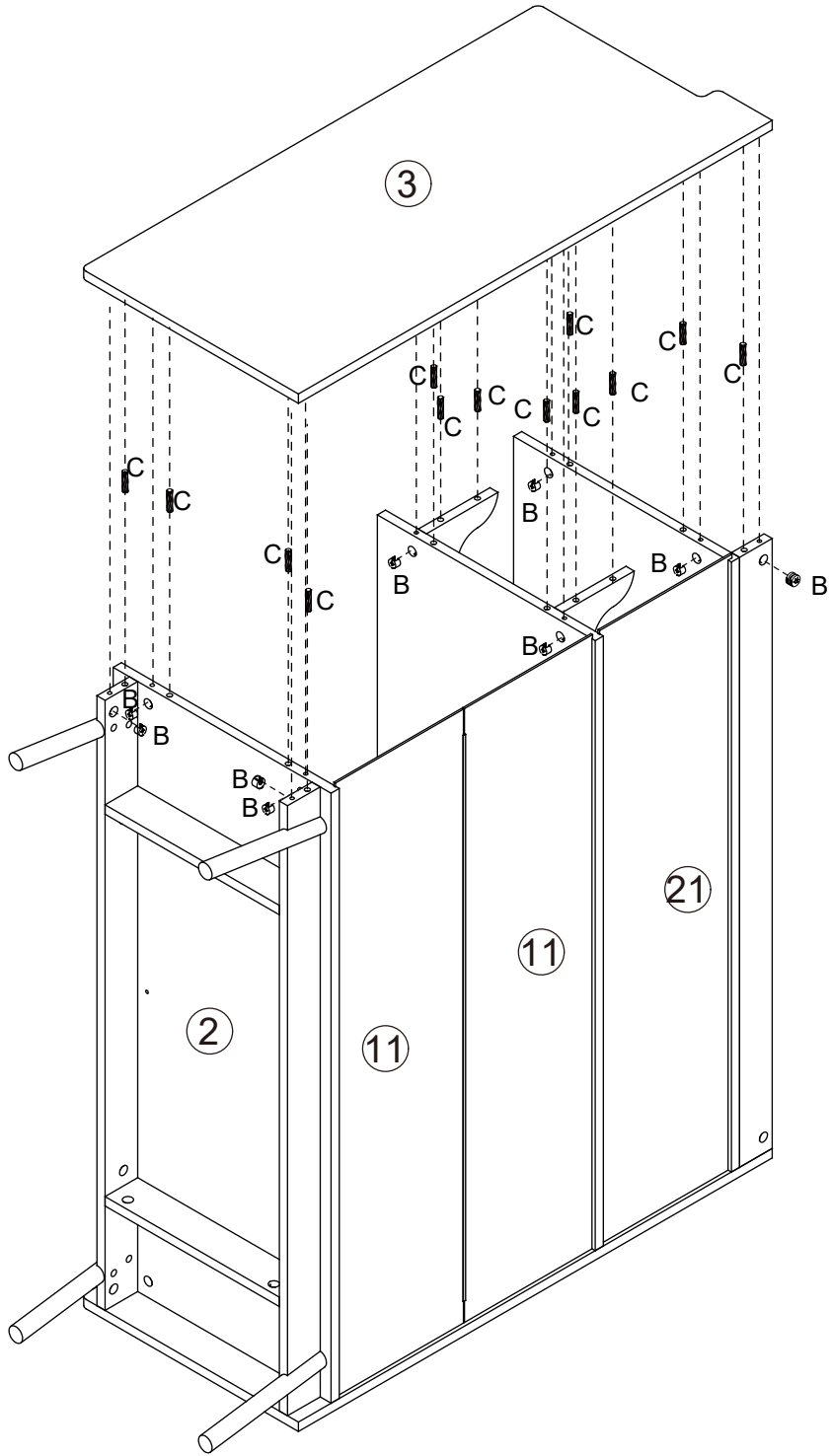
10



11

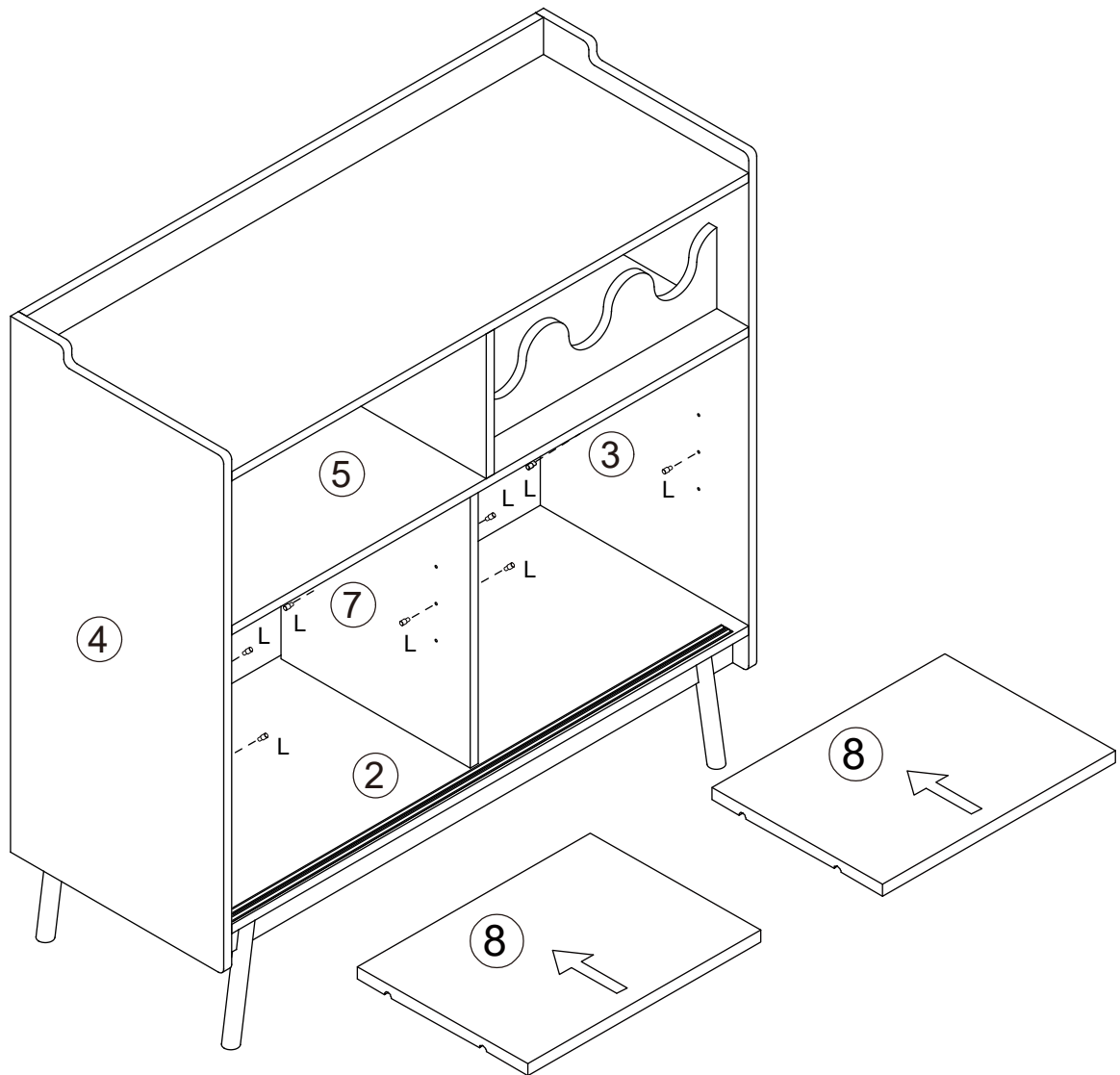



C	x4
	






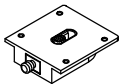
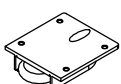
B	x9

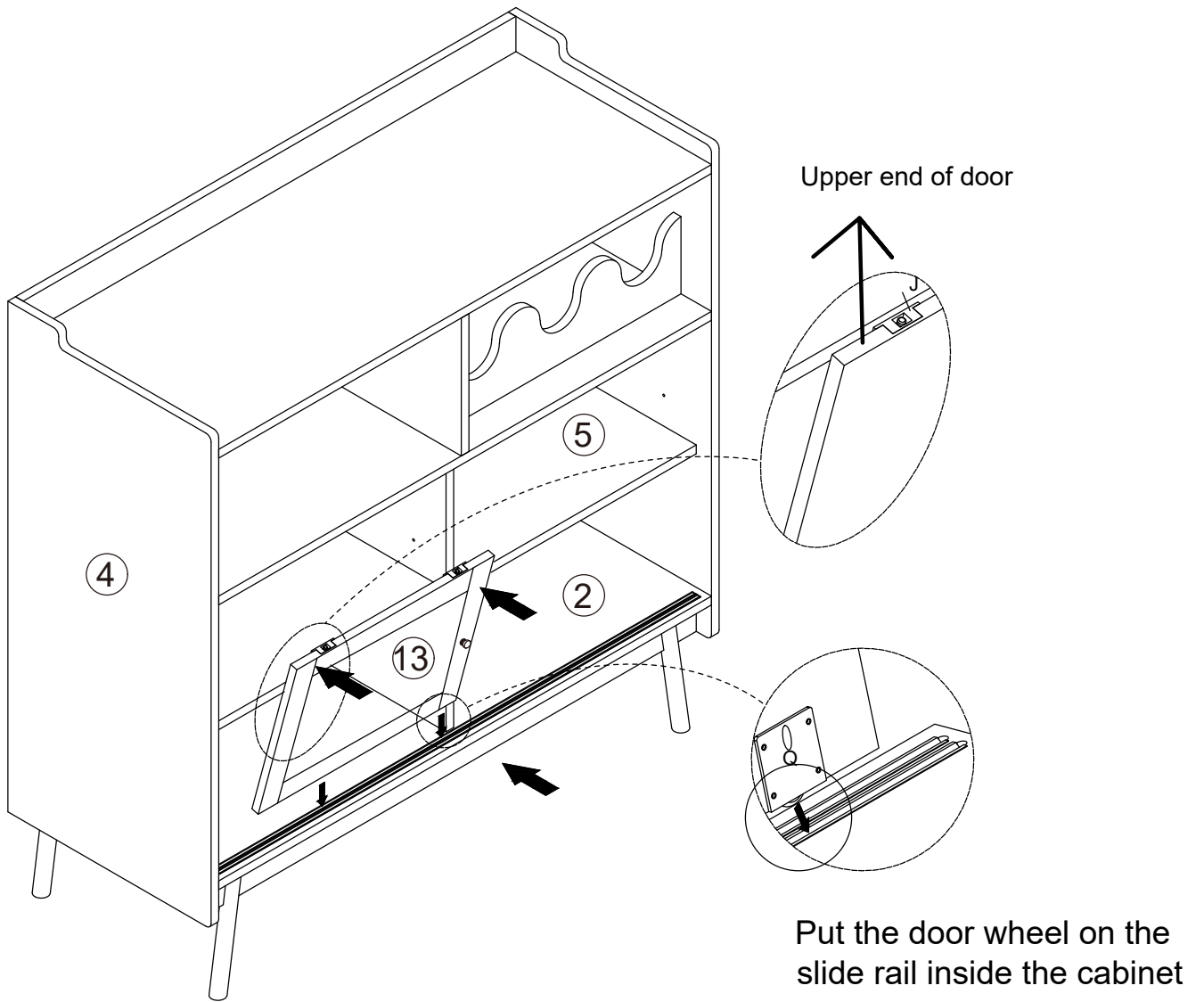
C	x13

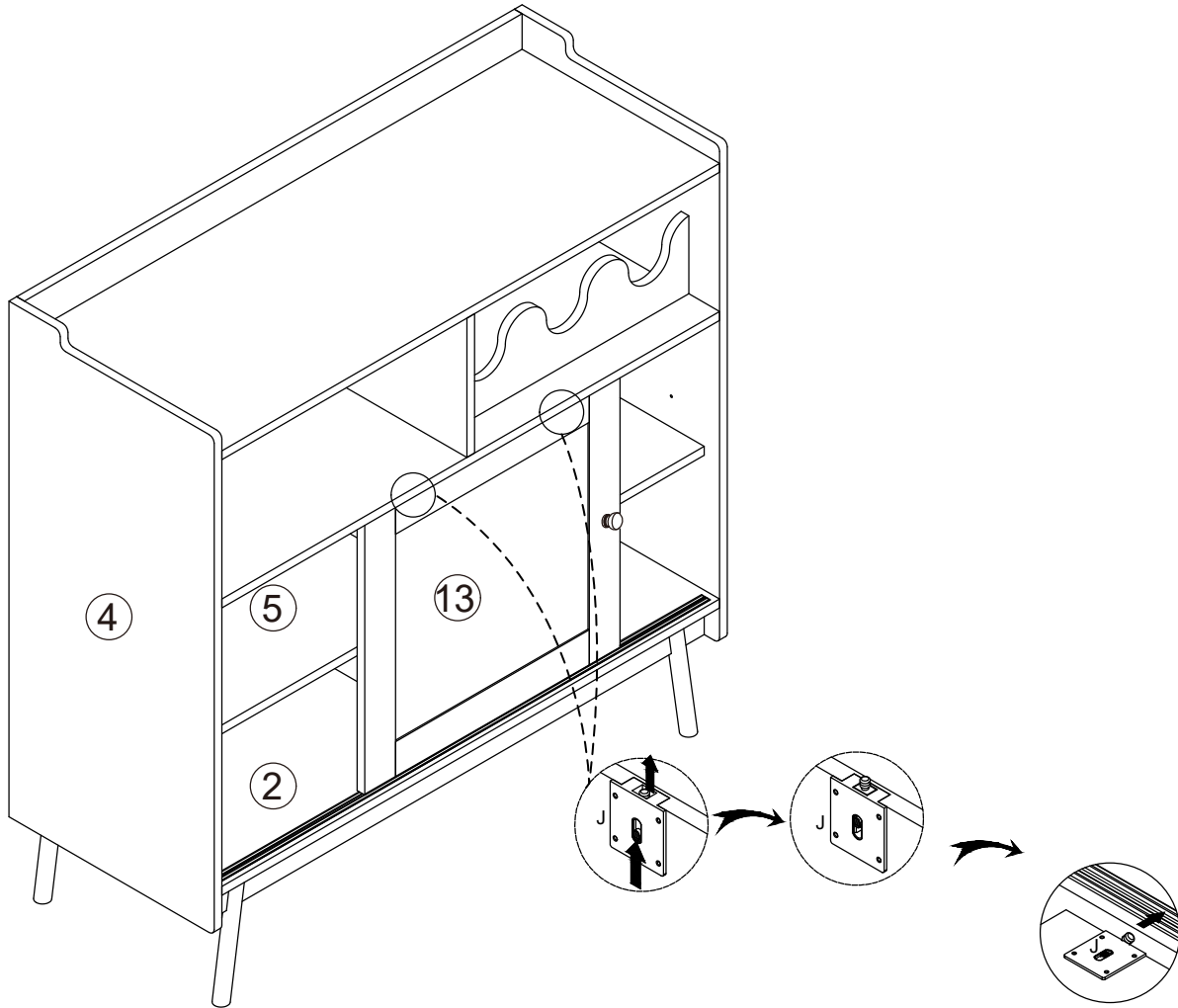


L	x8
	

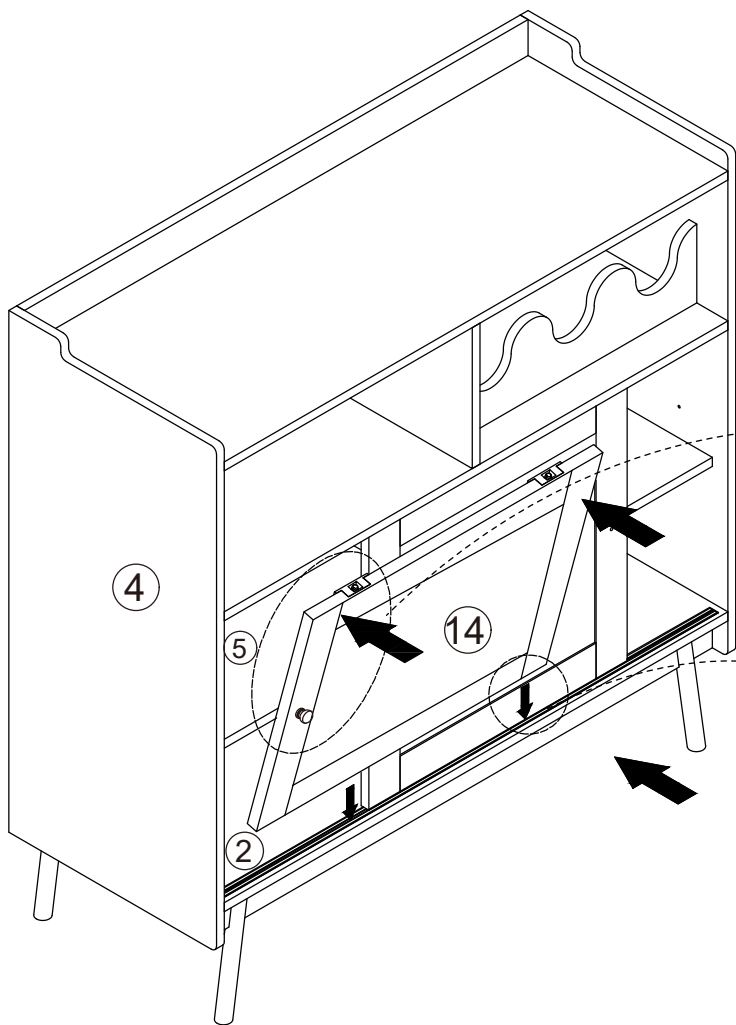


P	x2	H	x32
 			
J	x4	K	x4
			

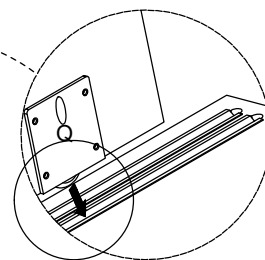
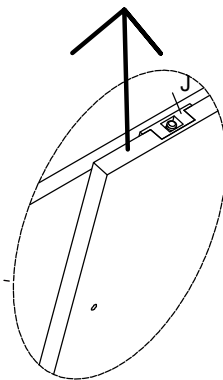




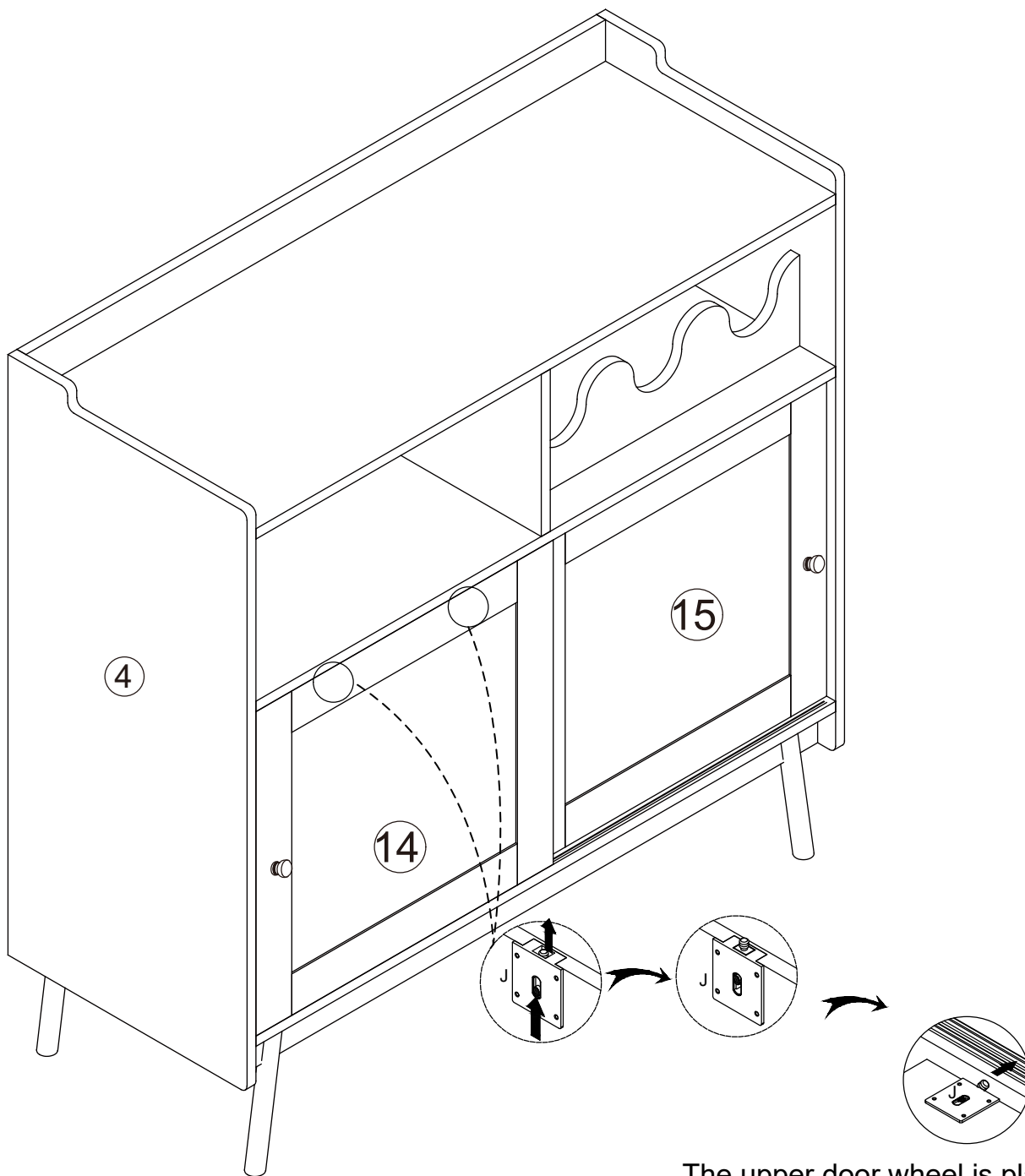
The upper door wheel is placed on the slide rail inside the cabinet body



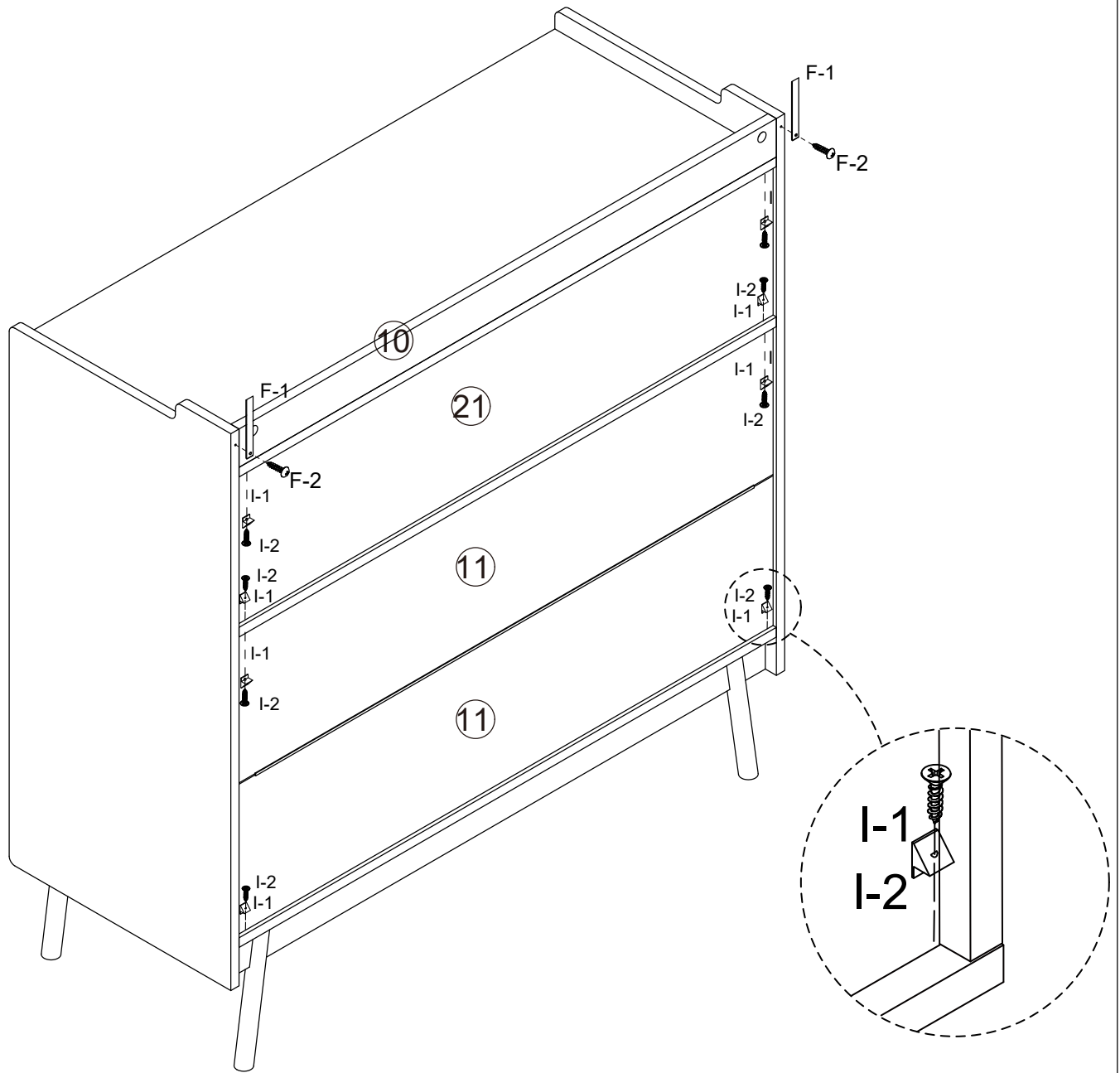
Upper end of door



Put the door wheel on the slide rail inside the cabinet



The upper door wheel is placed on the slide rail inside the cabinet body



F	x2	S	x8
F-1	F-2		
