

# ELECWISH®

Bathroom Vessel Sink

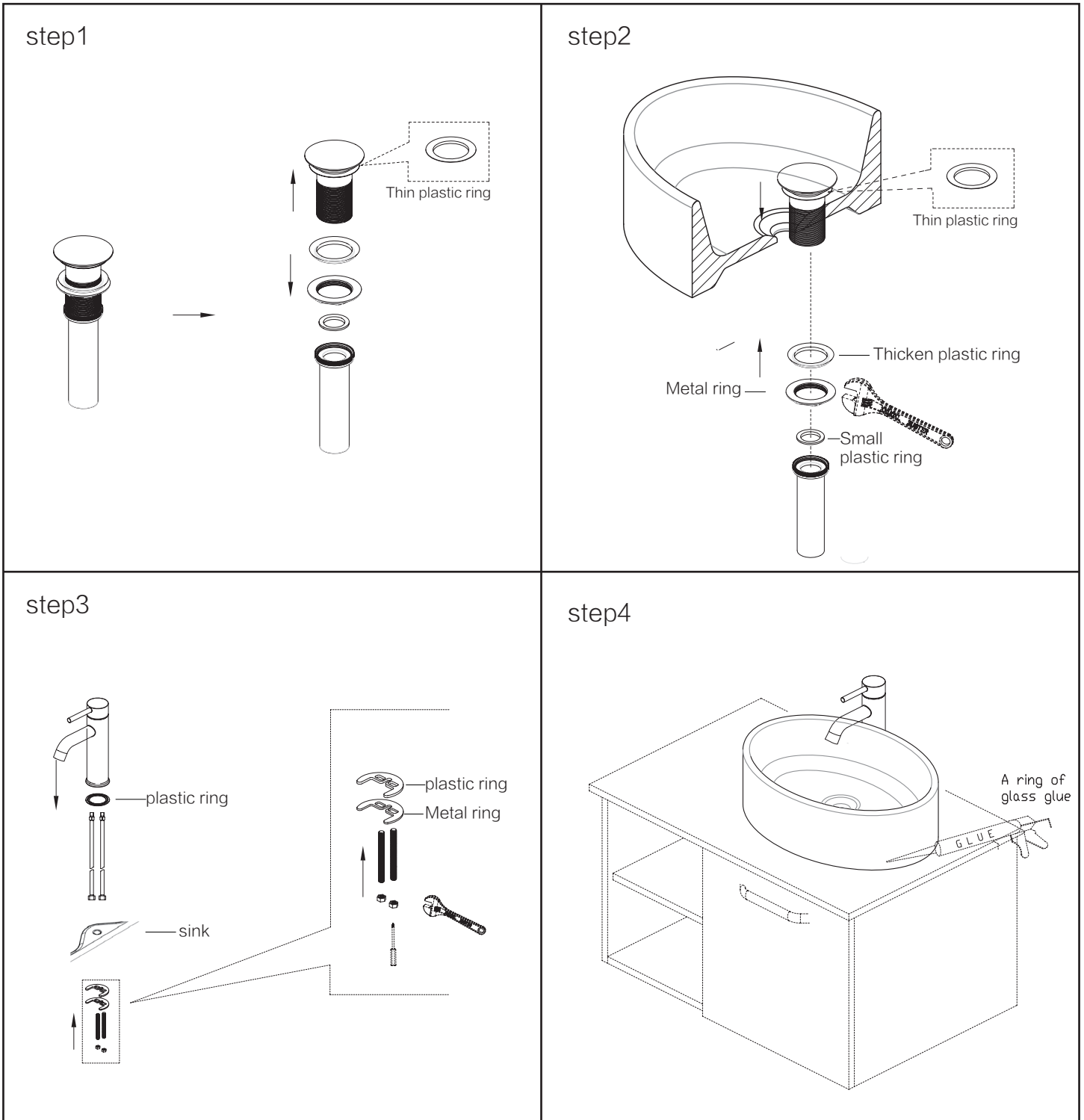


[www.elecwish.com](http://www.elecwish.com)

# Package list

 <p>x1</p>	 <p>x1</p>	 <p>x1</p>
 <p>x1</p>	 <p>x1</p>	 <p>x1</p>
	 <p>x1</p>	 <p>adapter 1/2 to 3/8</p> <p>x2</p>
 <p>x1</p>	 <p>x1</p>	 <p>adapter 1/2 to 9/16</p> <p>x2</p>

# Basin&Faucet Installing



## Tip&Warnings

Don't over-tighten the water lines. It could damage the faucet. Certain dimensions of your vanity must be exact. The diameter of the taping hole needs to be 1 3/8 in. The gap between the taping hole and the drain hole needs to be 10 3/4 in.