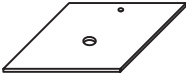



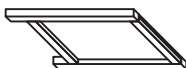




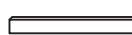
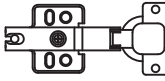


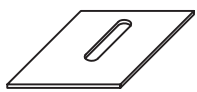
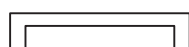
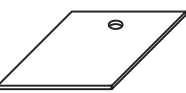



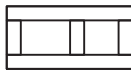

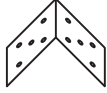
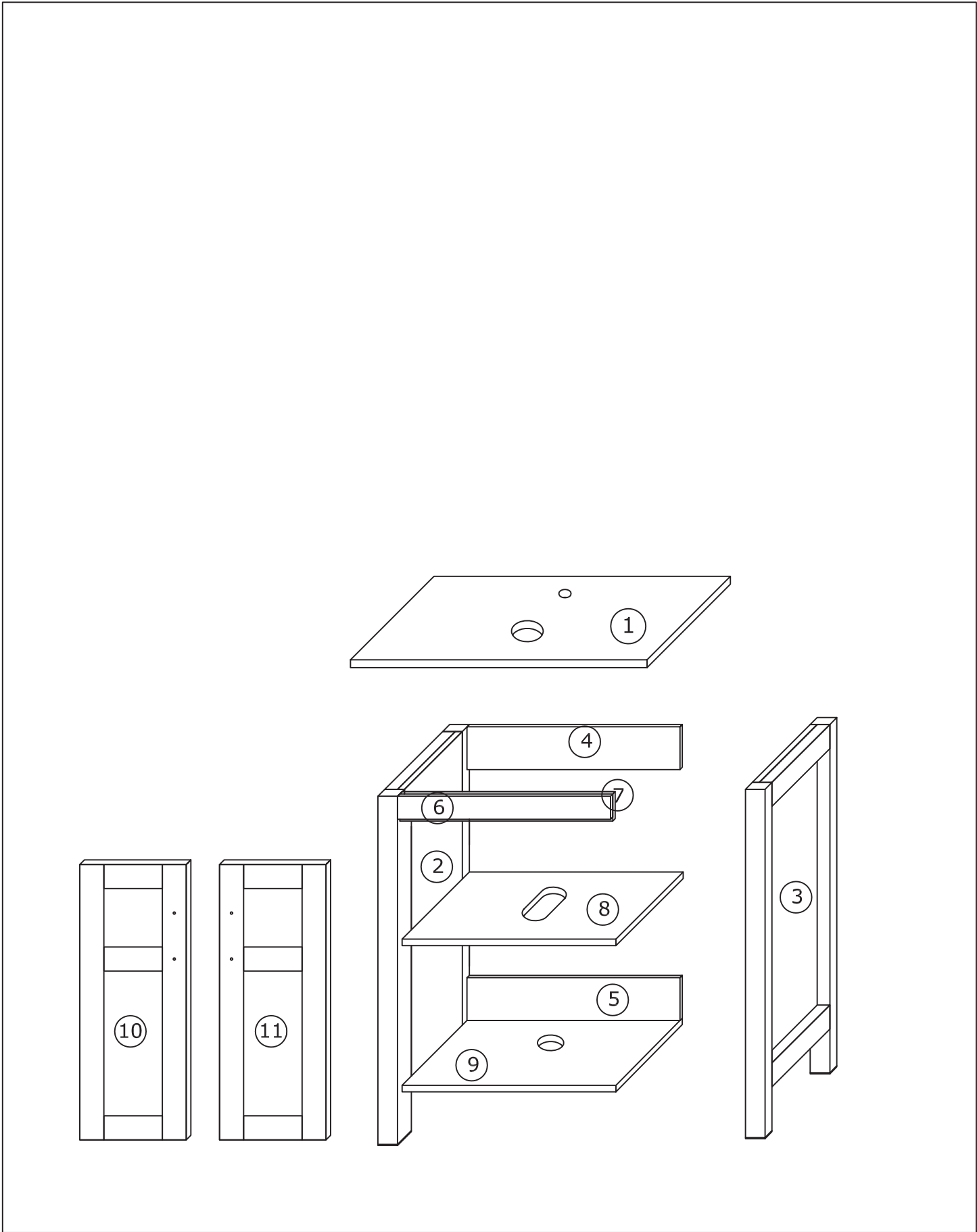


Bathroom Vanity(US-HW1120)



Package list

Parts list			Hardware list		
NO.	Description	QTY	NO.	Description	QTY
1		1	A	 CAM LOCK	28
2		1	B	 CAM SCREW	28
3		1			
4		1	D	 WOODEN DOWEL	12
5		1	E	 SCREW	40
6		1	F	 HINGE	4
7		1	G	 HASCREW ($\phi 4 \times 18 \text{MM}$)	4
8		1	H	 HANDLE	2
9		1	I	 $\phi 5 \times 40 \text{MM}$	2
10		1	J	 $\phi 6 \times 30 \text{MM}$	2
11		1	K	 BOTTOM DRAIN HOLE COVER	1
			L	 CORNER IRON	2





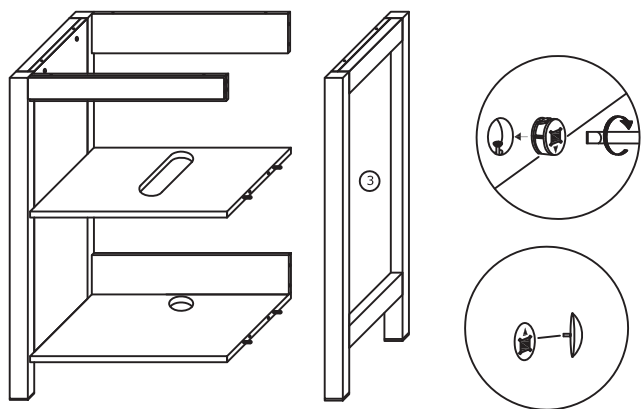
Installation Manuel

<p>step1</p>	<table border="1"> <thead> <tr> <th colspan="2">HARDWARE LIST</th> </tr> </thead> <tbody> <tr> <td>B</td> <td> 28PCS</td> </tr> <tr> <td></td> <td></td> </tr> </tbody> </table>	HARDWARE LIST		B	28PCS				
HARDWARE LIST									
B	28PCS								
<p>step3</p>	<table border="1"> <thead> <tr> <th colspan="2">HARDWARE LIST</th> </tr> </thead> <tbody> <tr> <td>A</td> <td> 2PCS</td> </tr> <tr> <td>C</td> <td> 2PCS</td> </tr> <tr> <td></td> <td></td> </tr> </tbody> </table>	HARDWARE LIST		A	2PCS	C	2PCS		
HARDWARE LIST									
A	2PCS								
C	2PCS								
<p>step2</p>	<table border="1"> <thead> <tr> <th colspan="2">HARDWARE LIST</th> </tr> </thead> <tbody> <tr> <td>D</td> <td> 12PCS</td> </tr> <tr> <td></td> <td></td> </tr> </tbody> </table>	HARDWARE LIST		D	12PCS				
HARDWARE LIST									
D	12PCS								
<p>step4</p>	<table border="1"> <thead> <tr> <th colspan="2">HARDWARE LIST</th> </tr> </thead> <tbody> <tr> <td>A</td> <td> 10PCS</td> </tr> <tr> <td>C</td> <td> 10PCS</td> </tr> <tr> <td></td> <td></td> </tr> </tbody> </table>	HARDWARE LIST		A	10PCS	C	10PCS		
HARDWARE LIST									
A	10PCS								
C	10PCS								

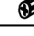



Installation Manuel

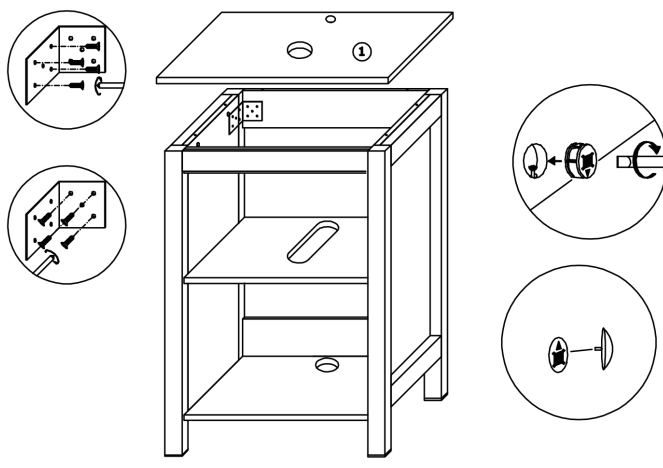
step5

HARDWARE LIST		
A		10PCS
C		10PCS





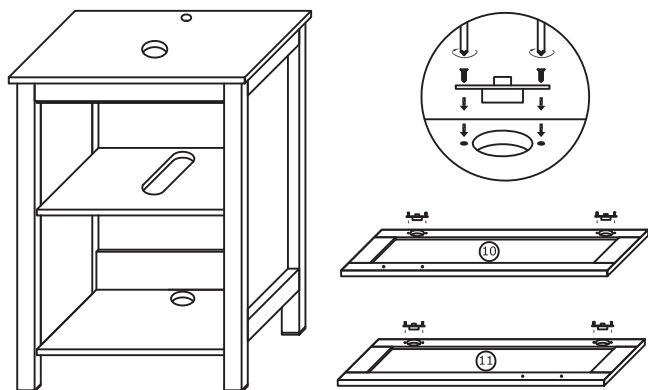
step6

HARDWARE LIST		
A		6PCS
C		6PCS
L		2PCS
E		16PCS



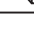


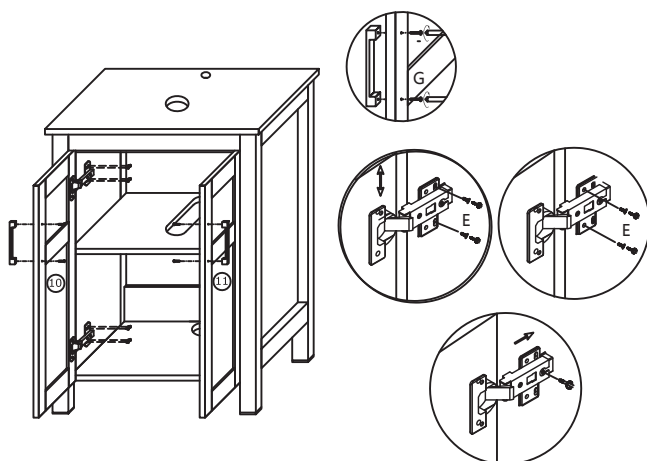
step7

HARDWARE LIST		
E		8PCS
F		4PCS



step8

HARDWARE LIST		
E		16PCS
G		4PCS
H		2PCS



Installation Manuel

step9

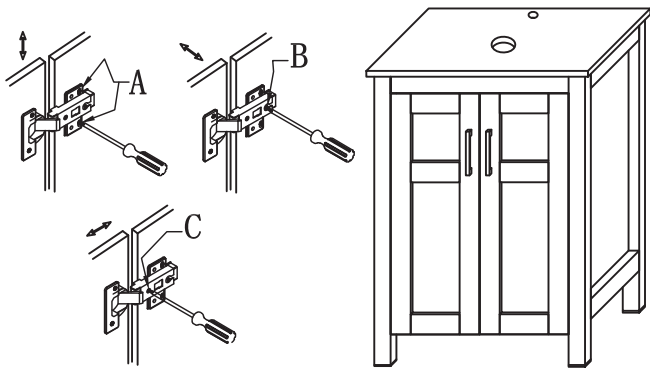
A. height adjustment:

B. depth adjustment:

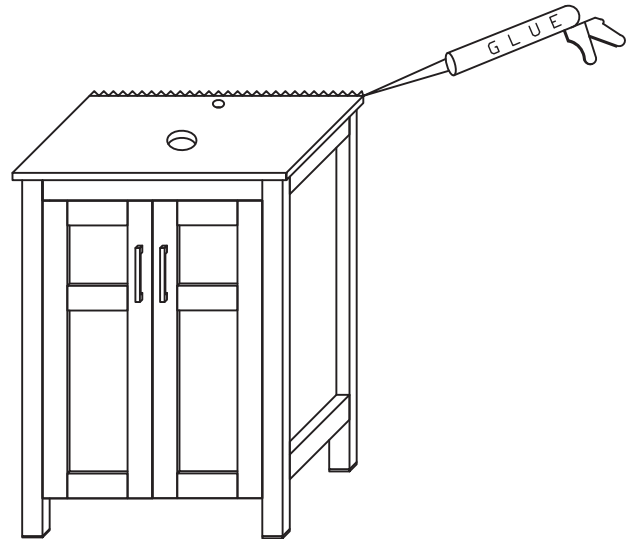
C. side to side adjustment:

HARDWARE LIST

HARDWARE LIST	



step10



Installation Manuel

Please follow the instructions below for ceramic vessel suit if the vessel is needed (Vessel Sink Combo sold separately):

1. Undo step 6 to remove vanity top board #1;
2. Please compare with the picture below and follow the instruction manual to assemble ceramic vessel;

