
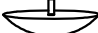








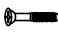





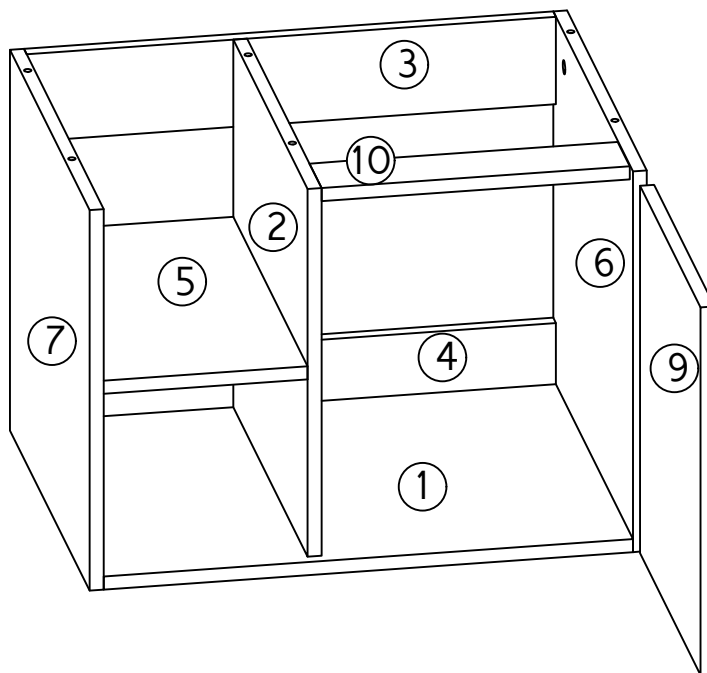
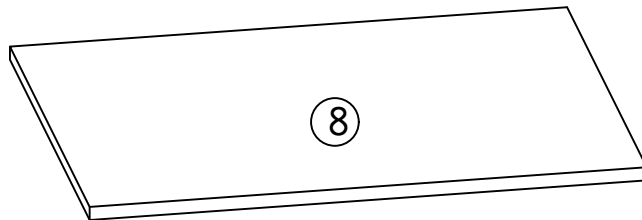
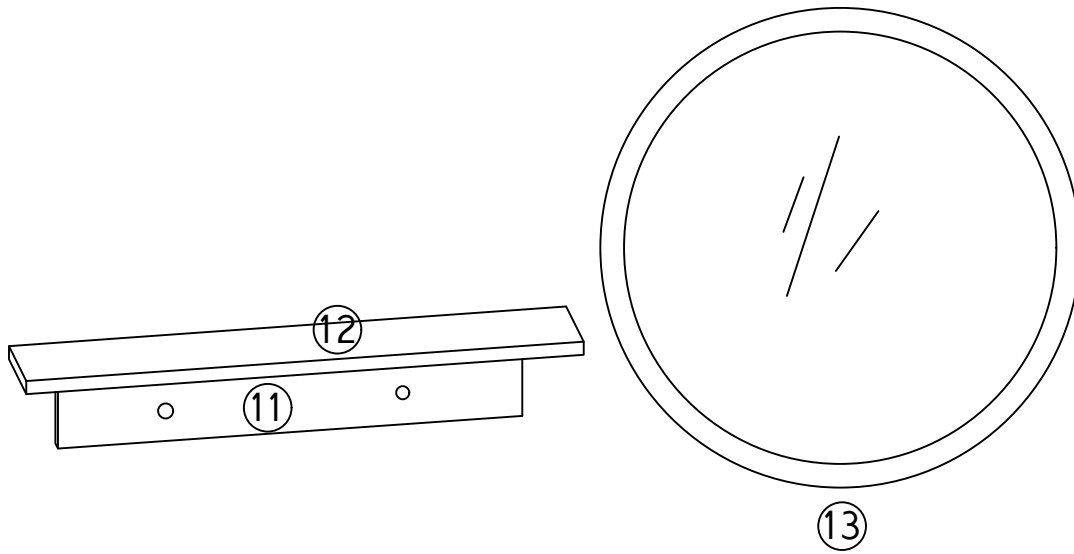
ELECWISH®

Bathroom vanity

www.elecwish.com

Package list



Parts list			Hardware list		
NO.	Description	QTY	NO.	Description	QTY
1		1	A	 CAM LOCK	36
2		1	B	 CAM SCREW	36
3		1	C	 CAM LOCK COVER	36
4		1	D	 WOODEN DOWEL	10
5		1	E	 SCREW	28
6		1	F	 HINGE	2
7		1	G		2
8		1	H	 Ø5X60	2
9		1	I	 Ø6X30	5
10		1	J	 Ø4X48	2
11		1	K	 WASHER	2
12		1	L	 COVER	2
13		1	M	 Ø3.5X38	1

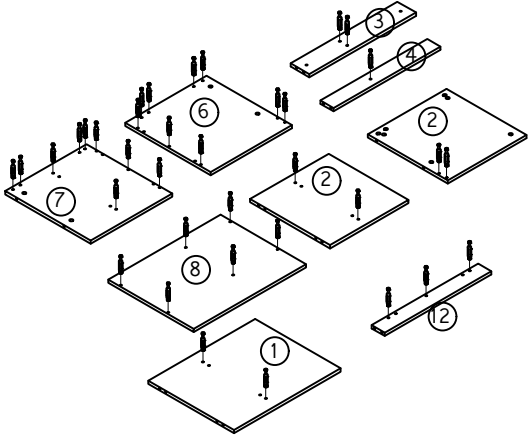


2



Installation Manuel

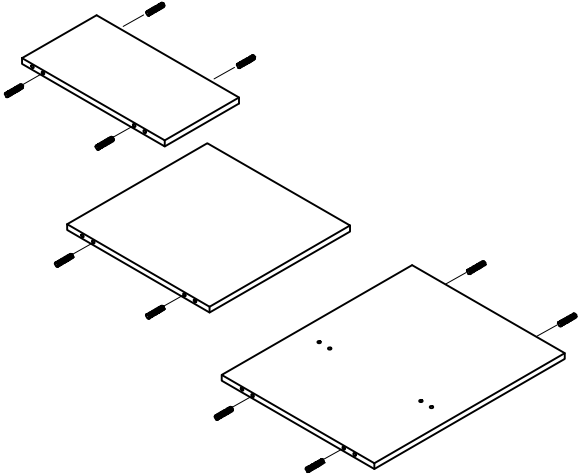
Step 1

HARDWARE LIST		
B		36
		






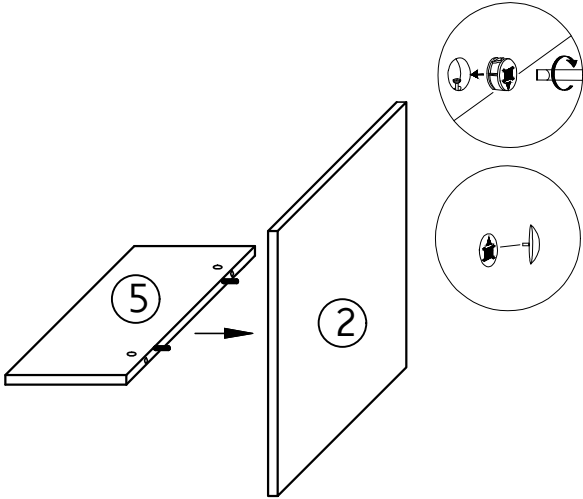
Step 2

HARDWARE LIST		
D		10
		






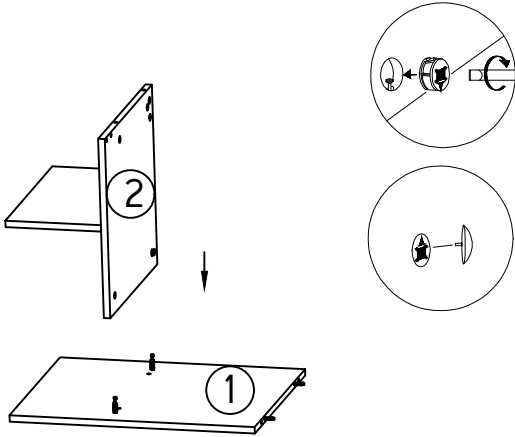
Step 3

HARDWARE LIST		
B		2
C		2
		





Step 4

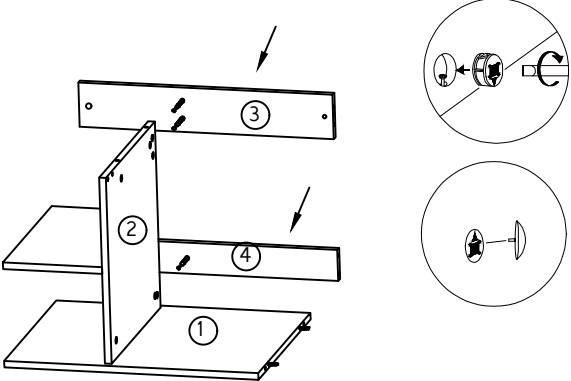
HARDWARE LIST		
B		2
C		2
		





Installation Manuel

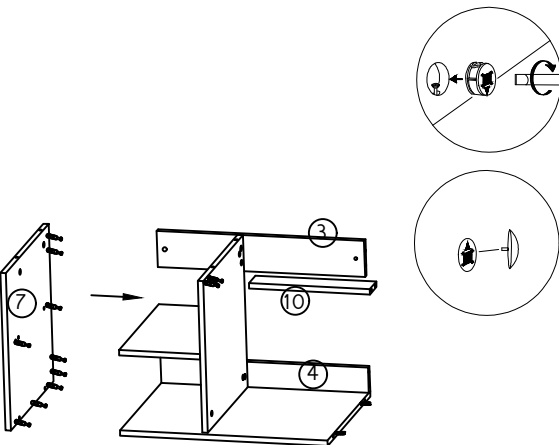
Step 5

HARDWARE LIST		
B		3
C		3





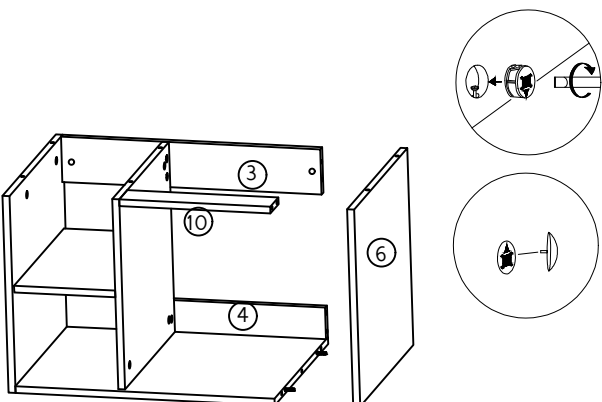
Step 6

HARDWARE LIST		
B		11
C		11


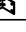


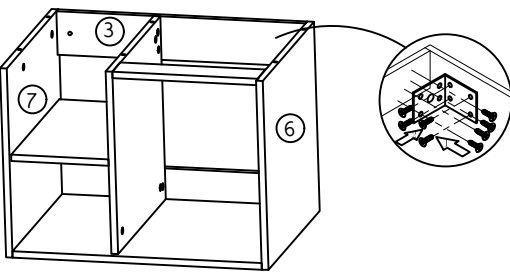
Step 7

HARDWARE LIST		
B		9
C		9





Step 8

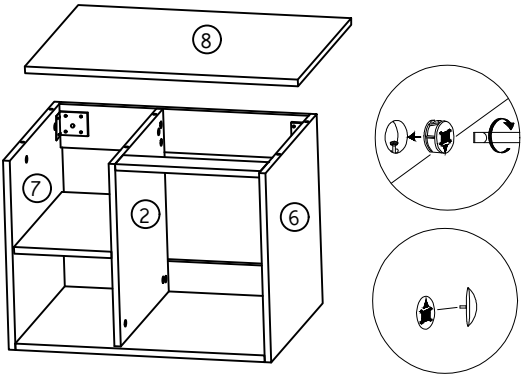
HARDWARE LIST		
E		16
G		2





Installation Manuel

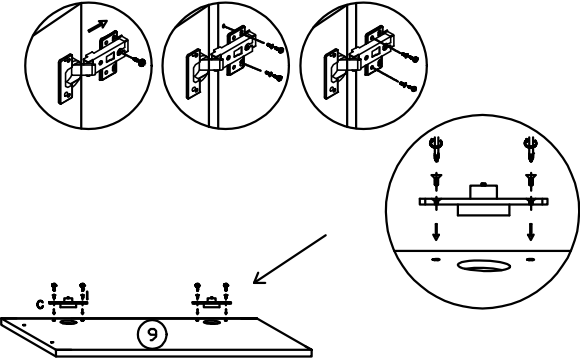
Step 9

HARDWARE LIST		
B		6
B		6





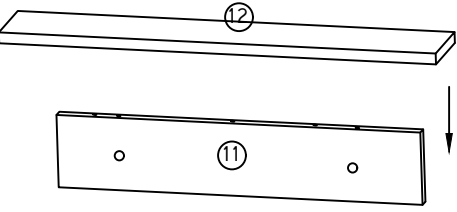
Step 10

HARDWARE LIST		
E		12
F		2





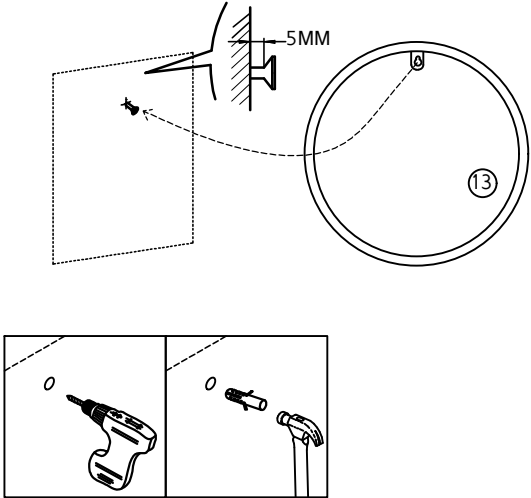
Step 11

HARDWARE LIST		
B		3
C		3




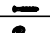


Step 12

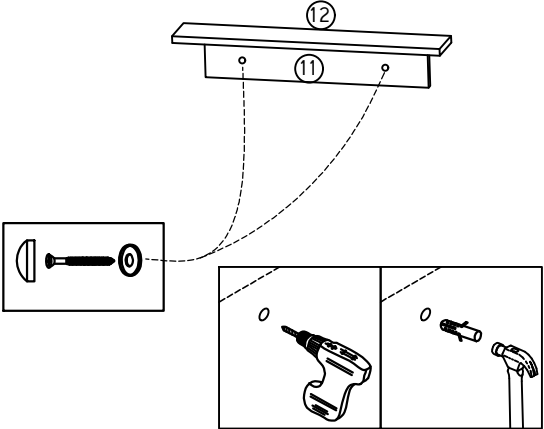
HARDWARE LIST		
I		1
M		1





Installation Manuel

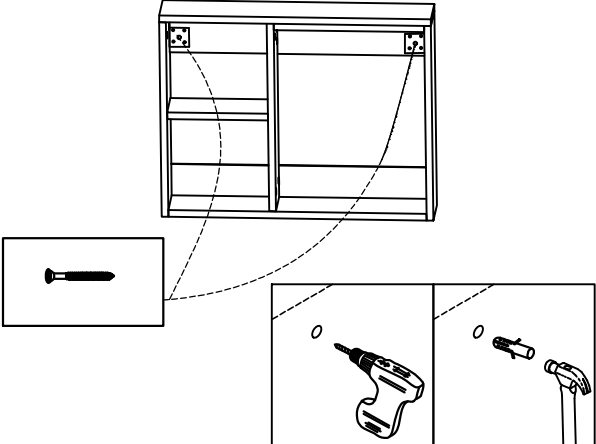
Step 13

HARDWARE LIST		
I		2
J		2
K		2
L		2



Step 14

HARDWARE LIST		
H		2
I		2



Step 15

HARDWARE LIST		

